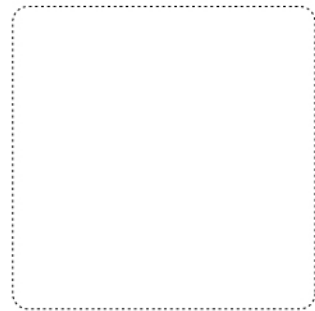




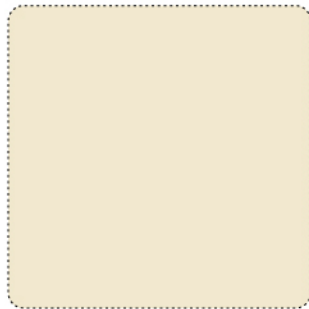
**SHUANGOU**  
颜色展示 Color show



SR9003 纯白



SR9010 哑光乳白



SR1015 象牙白



SO1088 闪银灰



SR9006 白银灰



SO1009 香槟银



SO1055 镜面



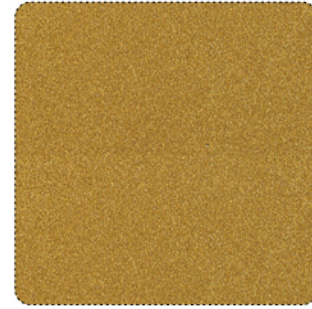
SO1043 银拉丝



SO1042 金拉丝



SR1003 柠檬黄



SR1036 闪金黄



SO1034 棕铜



SR2009 桔红



SR2008 橙色



SR3000 中华红



SR4010 玫瑰红



SR6029 翠绿



SR6026 邮电绿



SR5021 芬兰绿



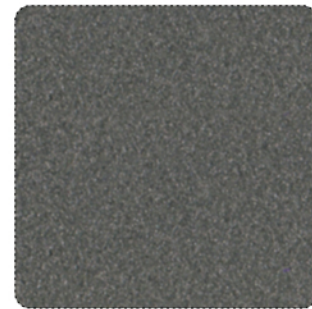
SR5015 浅蓝



SR5002 深蓝



SR7012 鼠灰



SR9007 黑金沙



SR9005 太空黑



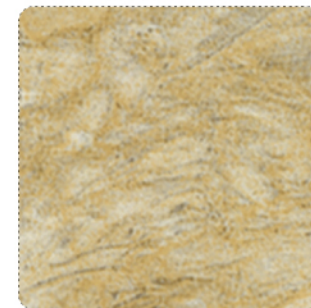
SO1180 法国橡木



SO1181 多瑙河枫木



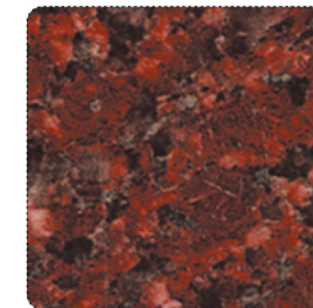
SO1182 罗马栎木



SO1024 金花米黄



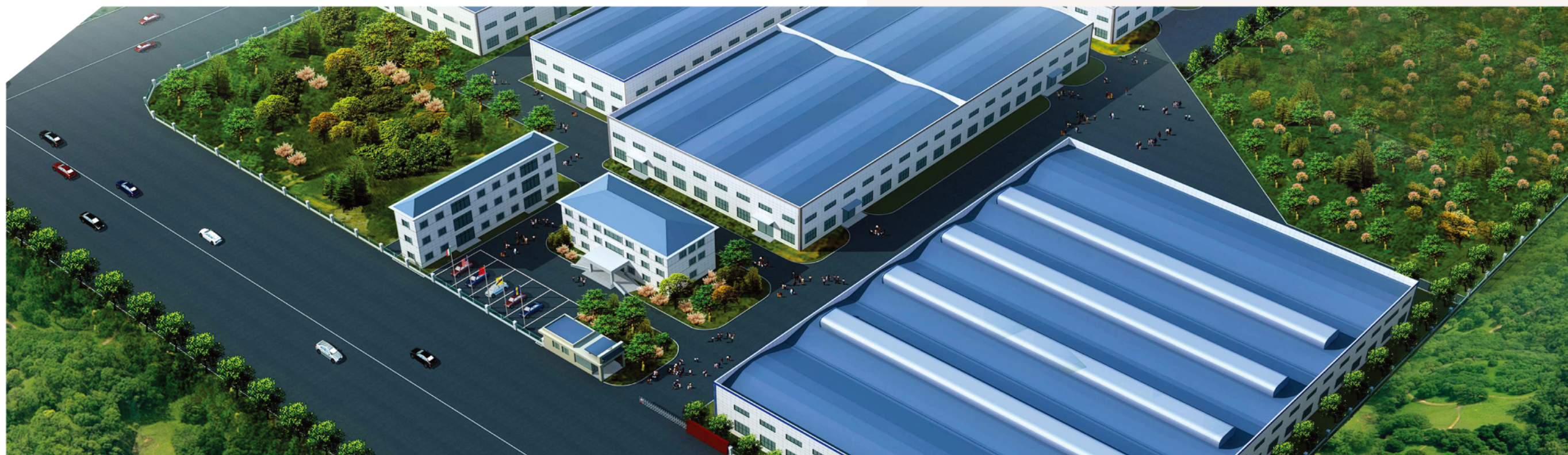
SO1027 金线米黄



SO1025 印度红

# SHUANGOU

## 公司简介 Company Profile



标准化厂房 品质有保障  
Standardized plant quality is guaranteed

常州双欧板业有限公司筹建于1992年，位于中国美丽、富饶的长三角地区——常州市，靠近上海港。专业生产铝塑板、铝单板、铝蜂窝板、金属装饰保温板、铝天花、铝方通、铝条扣、铝瓦楞板、铝格栅、铝镁锰金属屋面、彩涂铝卷、铝板等各种铝板装饰类建材的大型生产出口企业。公司占地8万m<sup>2</sup>，集团销售额达10亿元。产品70%出口到欧美、中东、俄罗斯及东南亚地区，30%用到国内著名工程。

产品广泛应用于建筑金属幕墙、外墙装饰、瓦楞板、金属屋顶、金属吊顶、室内装饰、机船车辆装饰、广告展板、家具饰面、箱体隔板、体育馆、会展中心、高铁站、机场等大型现代化公共场所。具有美观大方、保温节能、重量轻、耐候性好、易加工、耐冲击、防火性能好、易保养、颜色多等特点，是目前现代化装饰的首选材料。

“诚信为企业生命、质量为企业灵魂”。本公司是高新技术企业、中国建筑装饰协会会员、中国有色金属工业协会会员、中国铝塑协会理事单位，国家建筑外墙装饰材料防火安全性设计研究课题组成员，参与国家标准起草与制定。产品通过国际CE建材安全标准、SGS建材质量标准、德国DIN5510-2轨道车辆防火保护标准、国际PONY有毒成份限量标准、国家建材测试中心检验标准、美国国家英国皇家ISO9001:2000质量管理体系认证和ISO14001环境管理体系认证，获得“全国建筑节能推荐产品”、“江苏省高新技术产品”、“常州市高新技术产品”、“企业信用(合同)AAA级”、“江苏省民营科技企业”、“常州市民营科技企业”、“江苏省企业信用管理贯标证书”、“江苏省科技型中小企业”、“常州市知名商标”、“中国铝塑板市场十佳畅销品牌”、“中国著名品牌”、“中国工程建设推荐产品”、“江苏省建设科技成果推广项目认定”、“江苏省质量信用产品”、“江苏省优秀民营企业”、“常州市名牌产品”、“质量放心，国家标准合格产品”、“信用优良企业”、“绿色建材产品”、“建筑装饰装修材料协会会员”、“建筑防水协会会员”、“房屋建筑钢结构会员”等多项荣誉称号。

公司始终以优良品质，完善的服务，欢迎您光临和指导！

Changzhou Shuangou Flooring Co., Ltd. was established in 1992, located in China beautiful, fertile Yangtze River Delta region - Changzhou City, close to Shanghai Port. We are the large scale production and export enterprises large enterprises, our product have aluminium coil/sheet, aluminium composite panel/honeycomb panel, metal decorating thermal insulation panel, aluminium ceiling, Aluminium square tube/buckle/grilles, aluminium veneer/corrugated plate, heat-reflective metal roof, color coated aluminium coils/plate. The company covers an area of 80,000 square meters, total sales of \$ 1 billion per year. And 70% of our products exported to Europe, the Middle East, Russia and Southeast Asia, 30% used in the domestic well-known projects.

The products are widely used in the construction of metal curtain walls, wall decoration, corrugated plate, metal roof, metal ceiling, interior decoration, machine ship, vehicle decoration, advertising panels, furniture finishes, box partition, stadiums, convention centers, high-speed rail stations, airport and other large-scale modernization of public places. Have a nice, energy-saving insulation, light weight, weather resistance, easy processing, impact resistance, fire performance, easy maintenance, color and other characteristics, is the material of choice for modern decoration.

"Honesty is the enterprise's life; Quality is the enterprise's soul." Our company is a high-tech enterprise, China Building Decoration Association, China Nonferrous Metals Industry Association, China Association of aluminum-plastic unit. We have the certifications such as the CE building materials through the EU safety certifications, American SGS certification, National Anti-fire B1 certification, and international standard of PONY poisonous component. Through 2010 State Building Materials Test Center of the entire sampling qualified and the United States of the Royal ISO9001: 2000 quality management system certification and the ISO14001 environmental management system certification. "High-tech products in Jiangsu Province", "Changzhou high-tech products", "Private technology enterprises in Jiangsu Province", "Changzhou city private technology enterprises", "Jitc certificate of Jiangsu Province enterprise credit management", "Jiangsu Province small-sized sci-tech enterprise", "Changzhou city well-known trademark", we attain a number of honorary titles including "China's top 10 best-selling aluminum-plastic board market brand", "Chinese famous brand", "Recognition of scientific and technological achievements promotion of Jiangsu Province", "National building energy conservation recommended products", "Famous brand products of Changzhou City", "The product of credit and quality of Jiangsu Province", "China construction recommended products", "Outstanding private enterprises in Jiangsu Province", "Qualified products assured with the national standard", "Corporate credit quality", "Green building materials", "Member association of building decoration materials", "Corporate credit ratings AAA-class", "Member association of building waterproof", "Member association of building steel structure" and so on.

We always welcome your presence and guidance with excellent quality and perfect service

# SHUANGOU 铝单板系列

# NO.1

Aluminium Veneer Series

双欧牌铝单板采用 3004、3003、1100 西南铝板，经精密钣金制作成形，再经过除油、除锈、除污、钝化、皮膜、采用老虎牌、PPG、阿克苏氟碳涂料喷涂表面而成的外墙铝单板。

外墙铝单板主要由氟碳铝单板、加强筋、挂耳等组成，也可在背面加贴岩棉板，可起到保温隔热作用。具有高耐候性、抗风压、表面平整、坚固、自重轻、运输方便、安装简单、成本低、美观、金属质感强，可 100% 回收的优点。

外墙铝单板按形状可分为一般平板和异形板，能够制成多种造型。厚度常规为 2.0mm、2.5mm、3.0mm，尺寸按要求定制。

外墙铝单板表面涂料种类可分为氟碳铝单板、岗纹铝单板、真石漆铝单板、仿石材铝单板、打点式铝单板、热转印铝单板、木纹铝单板等。

应用在幕墙、外墙装饰、钢结构、展馆、机场、车站、车辆、航空、柱梁、阳台、机箱柜体、室内装饰、广告牌、车厢、家具、展台、仪器外壳、仪表板等。

Shuangou aluminum panel use 3004, 3003, 1100 Southwest Aluminum, the precision sheet metal manufacturing process, then removing oil, rust, dirt, cadmium, coating. And spay with the tiger brand, PPG, Akesu fluorocarbon paint.

Aluminum panel constitute fluorocarbon pure aluminum plate, stiffeners, hangers etc. We stick rock wool board to insulate the hot. Tis products has the advantages of high weather resistance, wind resistance, surface smooth, durable, light, transport easy, installation easy, low cost, beautiful appearance, strong metal texture, and 100% recovery.

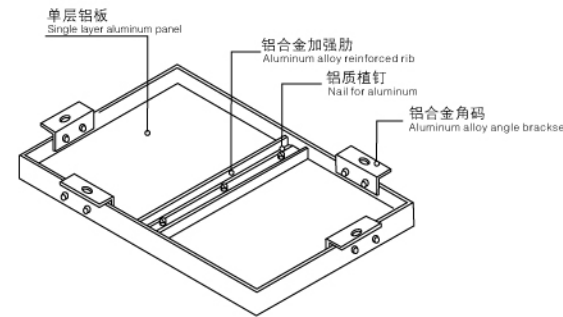
According to the shape, aluminum panel can be divided into special-shaped plate, and various shapes. The standard thickness is 2.0mm, 2.5mm, 3.0mm. But size can be changed as required.

According to coating, aluminum panel can be divided into fluorine carbon aluminum sheet, grain aluminum plate, real stone paint aluminum plate, imitation stone paint aluminum plate, dot type aluminum plate, heat transfer aluminum veneer, wood veneer etc.

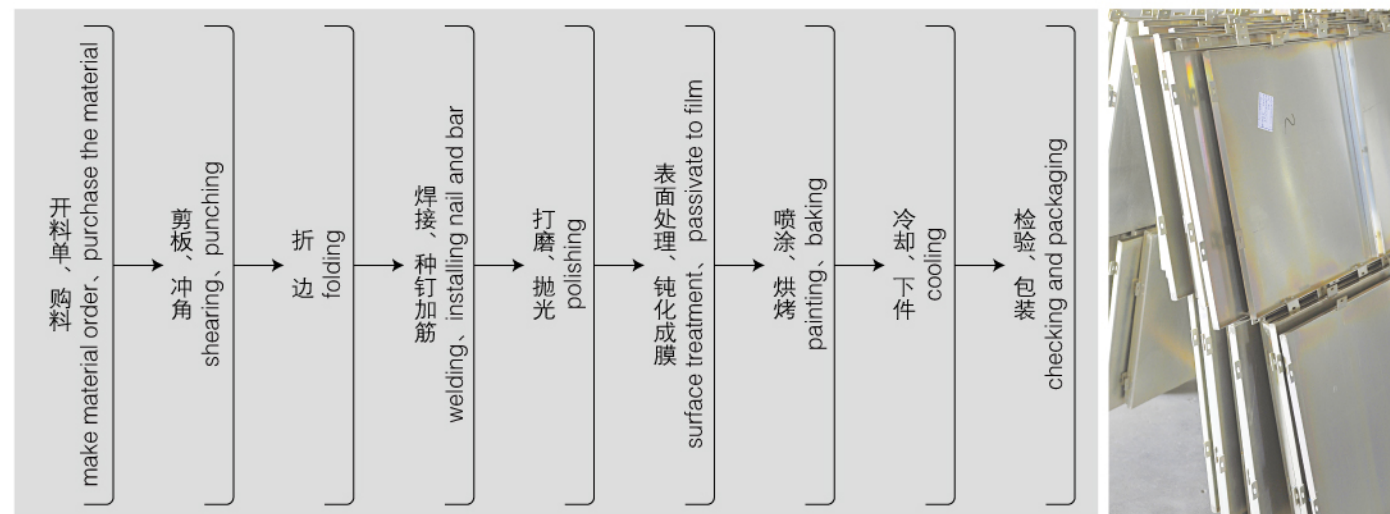
Our products widely used in curtain wall, wall decoration, steel structure, the pavilion, airport, station, car, aviation, beam column, balcony, chassis cabinets, interior decoration, advertisement, carriage, furniture, booth, instrument shell, dashboard etc.



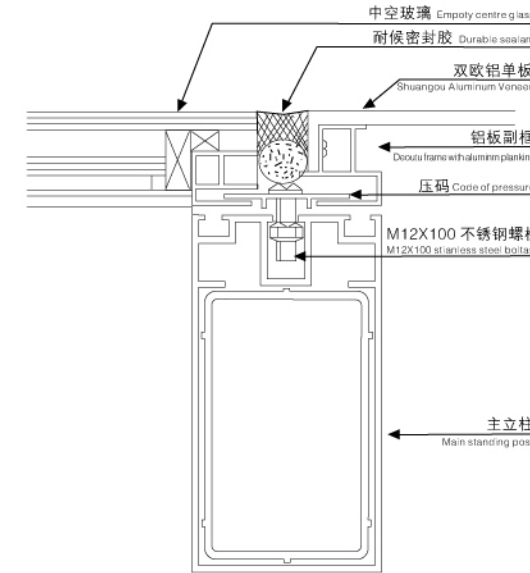
铝单板结构图 Aluminum veneer structure



## 生产工艺 Production process

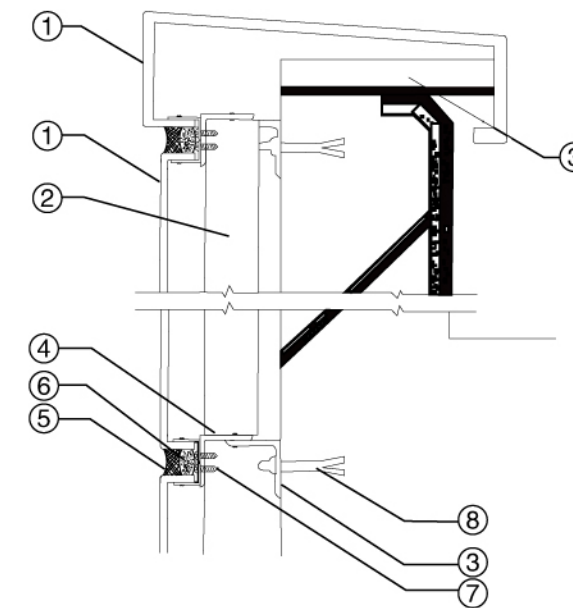


## Installation method 安装方法



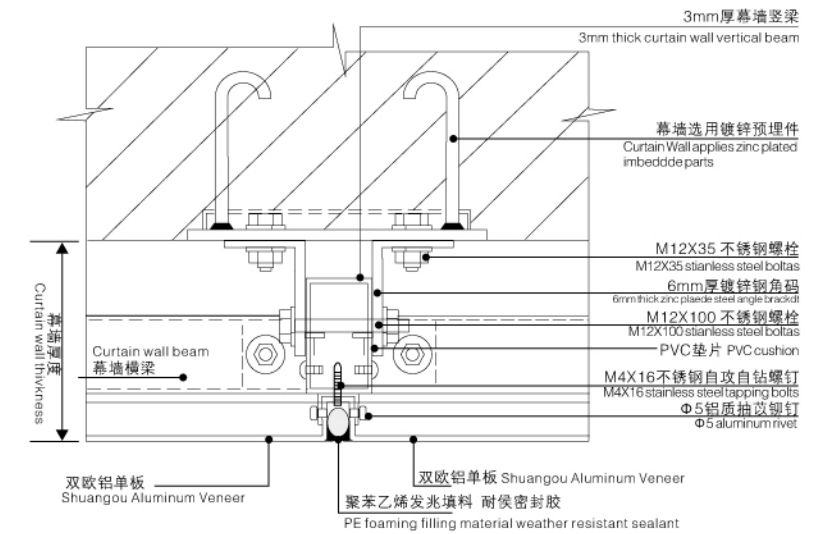
铝单板与玻璃幕墙相接的节点图

Aluminum and glass curtain wall veneer phase diagram of the node



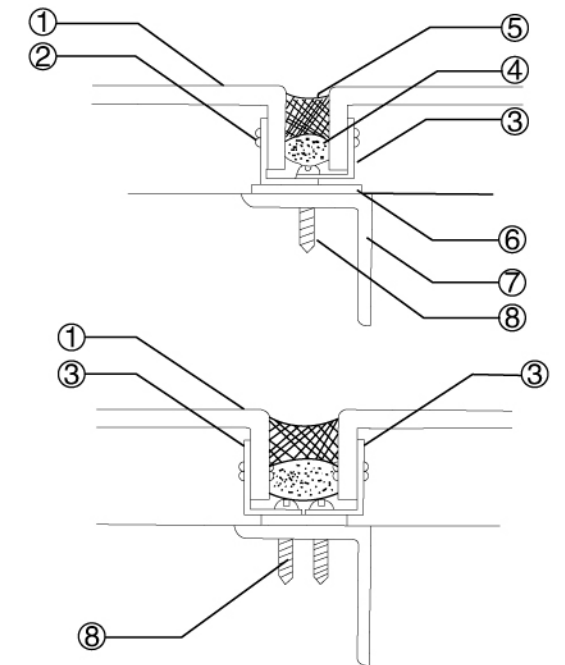
建筑顶部实例安装实例  
Installation example of building top

1. 双欧铝单板 Shuangou aluminium veneer
2. 铝龙骨 Aluminium channel
3. 角支撑 Angle support
4. 角钢 Angle bar
5. 耐候密封胶 Durable sealant
6. 垫衬材料 Lining material
7. 圆头螺丝 Bullen screw
8. 预埋锚固或膨胀螺栓 Built-in anchoring or expanding bolt



铝单板与幕墙相接的节点图

Aluminum curtain Wall veneer and phase diagram of the node



板的类型和连接设计实例  
Example of the type and joint design

- 角铝和密封连接  
Angle aluminium and seal joint (1)
1. 双欧铝单板 Shuangou aluminium veneer
  2. 铝铆钉 Aluminium rivet
  3. 角铝 Angle Aluminium
  4. 垫衬材料 Plastic lining bar
  5. 耐候密封胶 Durable sealant
  6. 垫片 Spacer
  7. 角钢 Angle bar
  8. 圆头螺丝 Bullen screw

## 国家建筑材料测试中心监测报告

### 1、外观质量

板材边部应切齐，无毛刺、裂边。板材不允许有开焊等。外观应整洁，图案清晰、色泽基本一致，无明显划伤。装饰面不得有明显压痕、印痕和凹凸等残迹。无明显色差，仲裁时 $\Delta E$ 不大于2.0。

### 2、尺寸偏差

铝单板的尺寸允许偏差应符合下表的要求。有特殊规定时，偏差由供需双方商定。

项 目	基本尺寸	允许偏差	
		室外用	室内用
基材厚度/mm	厚度	符合GB/T 3880.3的要求	
	1.0mm	宽 $\leq 1000\text{mm}$ , $\pm 0.05$	宽1000~1350mm, $\pm 0.08$
	1.5mm	宽 $\leq 1000\text{mm}$ , $\pm 0.07$	宽1000~1350mm, $\pm 0.09$
	2.0mm	宽 $\leq 1000\text{mm}$ , $\pm 0.08$	宽1000~1350mm, $\pm 0.10$
	2.5mm	宽 $\leq 1000\text{mm}$ , $\pm 0.10$	宽1000~1350mm, $\pm 0.10$
	3.0mm	宽 $\leq 1000\text{mm}$ , $\pm 0.10$	宽1000~1350mm, $\pm 0.08$
边长/mm	边长 $\leq 2000$	$\pm 2.0$	-1.5~0
	边长 $> 2000$	$\pm 2.5$	-2.0~0
对角线/mm	长度 $\leq 2000$	$\leq 2.5$	$\leq 2.0$
	长度 $> 2000$	$\leq 3.0$	$\leq 2.5$
对边尺寸/mm	长度 $\leq 2000$	$\leq 2.5$	$\leq 1.5$
	长度 $> 2000$	$\leq 3.0$	$\leq 2.5$
面板平整度/(mm/m)	--	$\leq 2$	
折边角度/( $^{\circ}$ )	--	$\pm 1$	
折边高度/( $^{\circ}$ )	--	$\leq 1.0$	

注：以上规定适用于外形为矩形的铝单板，外形为其他形状时，由供需双方商定。

### 3、膜厚

铝单板膜厚应符合下表要求。

表面种类		膜厚要求	
粉末喷涂	氟碳	最小局部膜厚 $\geq 30$	
	聚酯	最小局部膜厚 $\geq 40$	
辊涂	氟碳	二涂	平均膜厚 $\geq 30$ , 最小局部膜厚大于等于23
		三涂	平均膜厚 $\geq 32$ , 最小局部膜厚大于等于30
	聚酯、丙烯酸	平均膜厚 $\geq 16$ , 最小局部膜厚 $\geq 14$	
液体喷涂	氟碳	二涂	平均膜厚 $\geq 30$ , 最小局部膜厚大于等于25
		三涂	平均膜厚 $\geq 40$ , 最小局部膜厚大于等于34
	聚酯、丙烯酸	平均膜厚 $\geq 25$ , 最小局部膜厚 $\geq 20$	

### 4、膜性能

铝单板膜性能应符合下表的要求。

项 目		膜性能要求		
		氟碳	聚酯、丙烯酸	阳极氧化
光泽度偏差	光泽度 $< 30$	$\pm 5$		
	$30 \leq$ 光泽度 $< 30$	$\pm 7$		
	光泽度 $\geq 70$	$\pm 10$		
附着力	干式	划格法0级		
	湿式	划格法0级		
	沸水式	划格法0级		
铅笔硬度		$\geq 1H$		
耐化学腐蚀性	耐酸性	耐盐酸	无变化	
		耐硝酸	无起泡等变化, $\Delta E \leq 5.0$	
	耐砂浆性	无变化		
	耐溶剂性	丁酮 无漏底	二甲苯, 擦拭法无漏底或静置法涂层无发暗, 划痕试验应无明显华恒	
封孔质量		--		$\leq 30\text{mg/d m}^2$
耐磨性		$\geq 5\text{L}/\mu\text{m}$	--	$\geq 300\text{g}/\mu\text{m}$
聚酯粉末涂层采用静置法, 其他涂层均采用擦拭法				

### 5、耐冲击性

经50kg.cm冲击后, 正反面铝材应无裂纹, 涂层应无脱落, 氟碳、聚酯和丙烯酸涂层应无开裂, 陶瓷涂层允许有轻微开裂, 阳极氧化膜不做要求。

### 6、耐候性

#### 1、加速耐候性

用于建筑外装饰的铝单板的加速耐候性能应符合下表的要求。

项 目		试验时间	性能要求
耐盐雾性	铜加速盐雾 (CASS) 试验 <sup>a</sup>	AA15	24h
		AA20	48h
		AA25	48h
	中性盐雾 <sup>b</sup>		4000h
耐人工气候加速老化		4000h	不次于1级 色差 $\leq 3.0$ 光泽度保持 $\leq 70\%$ 其他老化性能不次于0级
耐湿热性		4000h	不次于1级

a适用于阳极氧化铝单板  
b适用于除阳极氧化外的其他涂层铝单板

#### 2、自然气候耐候性

需方如有自然气候暴露等特殊耐候性要求, 应符合下表的要求。

级 别	试验时间	性能要求
I 级	10年	色差 $\leq 5.0$
		光泽保持率 $\geq 50\%$
		粉化不次于4级, 其中白色不次于3级
		涂层无开裂和剥落
II级	5年	色差 $\leq 5.0$
		光泽保持率 $\geq 30\%$
		粉化不次于4级
		涂层无开裂和剥落
III级	1年	涂层无变色、开裂和剥落, 仅有轻微粉化、失光和褪色

# SHUANGOU 铝塑板系列

# NO.2 Aluminium Composite Panel Series

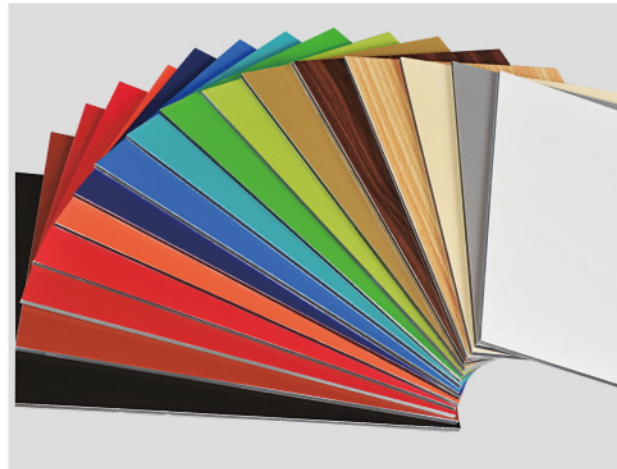
双欧牌铝塑板采用西南铝3系、5系优质铝板，齐鲁石化专用塑料，美国DUPONP高分子膜，美国PPG70%以上氟碳含量涂料生产复合而成，年产量400万m<sup>2</sup>。

防火铝塑板，采用国家防火研究中心A2级、B1级、B2级防火塑料芯材复合生产而成，达到国际最高水平。

氟碳膜铝塑板，采用德国氟碳膜工艺，提供二十年耐候质保。尤其对原有热转印和花色辊涂不耐候的缺点作了全面的质量保证，对于岗纹颜色和木纹颜色和其他多色涂装的铝塑板，用在外墙装饰质量更加优越可靠。

纳米抗污铝塑板，采用中科院涂料研究所最新研制的纳米涂料复合而成。具有超强抗污能力。

同时生产、不锈钢塑板、铜塑板、花纹铝塑板、冲孔铝塑板、双面铝塑板、异形宽幅铝塑板、镜面铝塑板、凹凸铝塑板、外墙岗纹铝塑板、金拉丝、银拉丝变色龙等铝塑板，是目前墙面最佳装饰材料。



Shuangou Aluminum composite panel adopt 3000,5000 seire of south-west aluminum,special plastic of Qilu Petrochemical.polymer film of America DUPONP and American PPG paint with more than 70% fluorocarbon, with annual output 4 million square meters.

Fireproof aluminum composite panels passed A2,B1,B2 level, the fireproof plastic core based on the National Fire Protection Resear Center.

We have introduced the latest fluorocarbon film technology from Germany and can provide 20 years quality assurance.In particular,Made a comprehensive quality assurance for the disadvantages of the thermal transfer and color roll coating is not weather resistant.For stone pattern color and wood color and other color coating aluminum coil,aluminum composite panel used in in exterior wall decoration,the quality is excellent and more reliable.

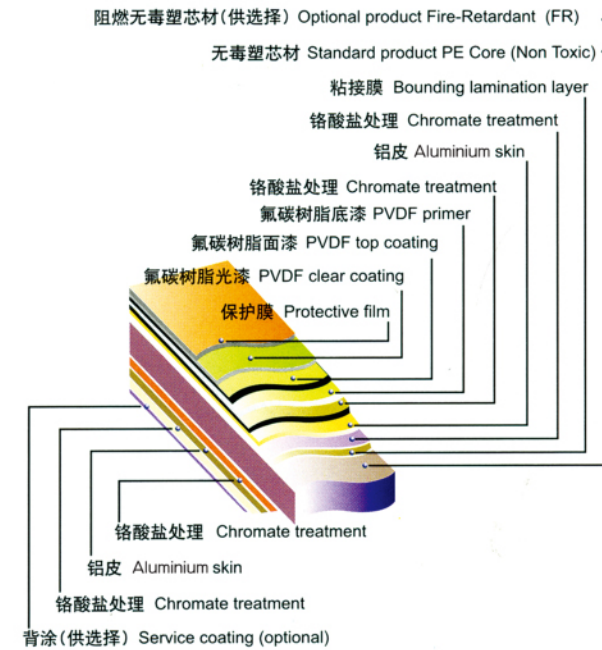
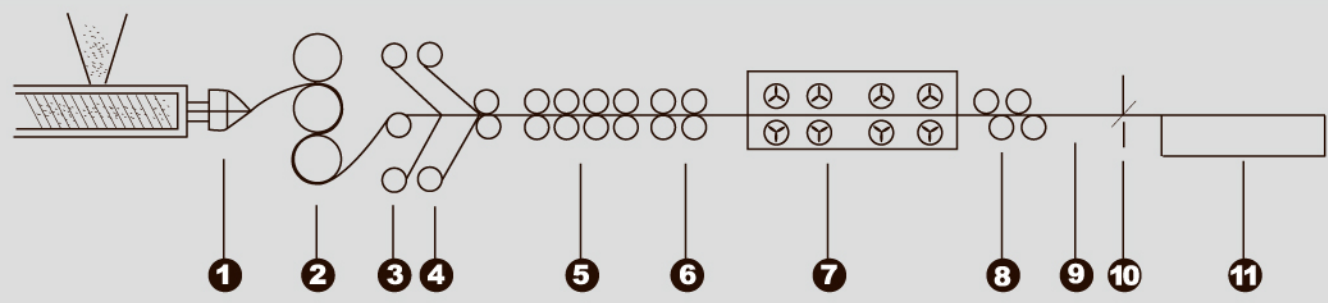
Nanometer anti-dirty aluminum composite panels adopt nanometer paint which is the latest research result of Paint Research Institute of the Chinese Academy of Sciences and has the powerful ability of anti-dirty.

Meanwhile,we also produce nanometer anti-dirty,fireproof,steel aluminum composite panel,fluorocarbon,special broad,mirror,concavo and convex surface,outer wall granite,golden brushed,silver brushed and colour changeable aluminum composite panels which are nowadays the best wall decorative material.

## 生产工艺 Production process

1.塑料挤压→2.塑板成形→3.贴高分子膜→4.复合铝卷→5.热复合→6.水辊冷却→7.风机冷却→8.校平成形→9.质量检验→10.剪切→11.成品

1. Plastics extrusion → 2. Plastic plates forming → 3. Paste polymer membrane → 4. Composite aluminum volume → 5. Thermal compound → 6. Cooling water roller → 7. Cooling fan → 8. School-forming → 9. Quality Inspection → 10. Shear → 11. Packaging



## 标准尺寸 Standard size

1220、1500(宽)\*2440(长)\*1、2、3(厚)mm  
1220、1500(width)\*2440(length)\*1、2、3(thickness)mm  
1220、1500(宽)\*2440(长)\*4、5、6(厚)mm  
1220、1500(width)\*2440(length)\*4、5、6(thickness)mm

## 常规色 Usual color

50种 50 kinds

## 非标尺寸 Special size

小于1575mm(宽)\*长度无限延长  
Less than 1575mm(width)\*Lenth up to your request

## 特殊颜色 Special color

根据客户对色彩的不同要求，可调配不同的颜色  
many kinds meet your request

## 大欧牌铝塑复合板的应用范围: Application

- 1、大楼外墙帷幕墙板  
wall curtain
- 2、旧的大楼外墙改装和刷新  
repaired building
- 3、阳台、设备单元、室内瞬间、汽车装饰、家具饰面  
dado, separation wall
- 4、看板、标识牌、广告招牌、活动房  
advertising plate,show plate form

## Product characteristic | 产品特性

### 超强剥离度

#### Excellent torsion strength

铝塑板采用了新工艺，将铝塑复合板最关键的技术指标一剥离强度，提高到了最佳状态，使铝塑复合板的平整度、耐候性方面的性能都相应提高。With varieties of advanced equipment and stict control,the brand panel features high strength with excellent torsion strength and benging strength under heavy loads,and also excellent weather resistance.



### 材质轻易加工

#### Easy processing and installation

铝塑复合板，每平方米的重量仅在3.5-5.5公斤左右，故可减轻震灾所造成的危害，且易于搬运，其优越的施工性只需简单的木工工具即可完成切割、裁剪、刨边、弯曲成弧形、直角的各种造型，可配合设计人员，做出各种的变化安装简便、快捷减少了施工成本。The panel is easy to process for its light weight(3.5-5.5kg/sqm). All cutting milling, planning, slotting,side-folding and curving can be easily fulfilled by simple tools used for processing timber and metal, Both indoor and outdoor decoration can be implemented simultaneously so as to raise working efficiency and short working time.



### 防火性能卓越

#### Outstanding characteristics of fireproofing

铝塑复合板，中间是阻燃的物质PE塑料芯材，两面是极难燃烧的铝层。因此，是一种安全防火材料，符合建筑法规的耐火需要。The brand fireproof aluminium plastic pance fulfils the requirement of fireproof due to the usage of modified polyvinyl plastic interlayer in between without toxicity and covering of uninfilmable aluminium layer at two sides. The ability of fireproof is higher than index requirement of grade B1. It is a safe fireproofing material and fully meets the fireproofing requirement specified in building code.



### 超冲击性

#### Excellent impact resistance

耐冲击性强、韧性强、弯曲不损面漆，抗冲击力强，在风沙较大的地区也不会出现因风沙造成的破坏。It features good impact resistance, toughness, bending rigidity,it will not be damaged when it's suffering from sand blown by wing.



### 超耐候性

#### Excellent weather resistance

由于采用了以KYNAR-500为基料的PVDF的氟碳漆，耐候性方面都有独到的优势，无论在炎热的阳光下或严寒的风雪中都不损于漂亮的外观。可达20年不褪色。The panel coated with fluoro-carbon(PVDF)resin,it features good lightness, strong adhesion, and alkali resistance,powdering resistance of ultraviolet light, It can be used for 20 years without fade.



### 涂层均匀、彩色多样

#### Even coating & various color

经过化成处理及汉高皮膜技术的应用，使油漆与铝塑板间的附着力均匀一致，颜色多样，让您选择空间更大，尽显您的个性化。



Dealing with surface of aluminium material,and with the application of Henkle technology, it makes the paint and panel stamped with a very strong even force,and various color for your choice.

### 易保养

#### Easy to maintain

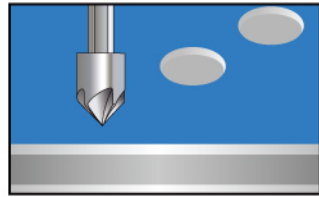
铝塑复合板，在耐污染方面有了明显的提高。我国的城市污染较为严重，使用几年后需要保养和清理，由于自洁性好，只需中性的清洗剂和清水即可，清洗后使板材永久如新。The brand panel, it performs well in its pollute resistance. It is seriously pollited in China. The panel needs to maintain and clean after several years use. Only neutral cleanser and water needed for its self-clean performance.It looks like before after cleaning.





切割/Cutting

可由喷水式推进器、仿形铣削机、成形锯和曲线锯切割成各种形状。  
It can be cut into all kinds of shape by using water jet, contour milling machine, forming saw and curve saw.



钻孔/Drilling

面板可以由通常用于钻铝和塑料的麻花钻钻孔。  
Panel can be drilled by twist drill, which is usually used for drilling aluminum and plastic.



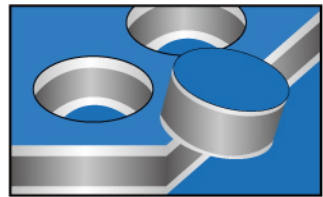
剪切/Shearing

剪切可以通过剪切机完成。应保证下料工具有衬垫。  
The shearing can be done by shearing machine. When shearing, please make sure there is a gasket under the blanking tools.



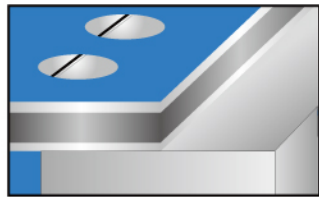
铆接/Riveting

利用普通设备、铆钉或盲铆钉就可以完成铆接。室外使用时应考虑热膨胀。  
The riveting can be done by simple tools, rivet or blind rivet. When using it for outside, please take the heat expanding into your consideration.



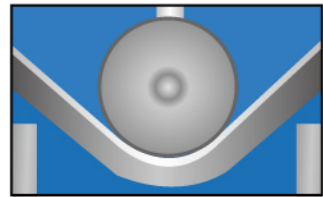
冲孔/Hole Punching

任何厚度的面板可以由常规的板材冲孔机打孔，净切削时请使用平稳安装的工具并保证最窄的剪切间隙。  
General eyelet machine can punch holes on panels with any thickness. When cutting, please use steady installation tools and make sure there is a narrowest gap.



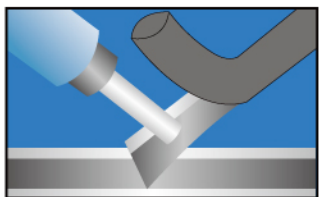
车削螺纹/Cut Thread

使用普通的无斑木材、金属片和金属螺钉。室外使用时应考虑热膨胀。  
Using general eguttulate wood, metal sheet and metal screw. When using it for outside, please take the heat expanding into your consideration.



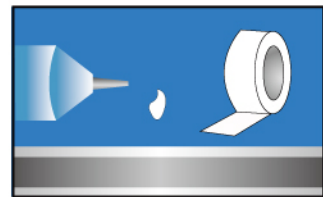
弯曲/Bending

弯曲可以通过折叠桌或闸压床实现。弯曲内径约为面板后的10倍。  
Bending can be done by folding table or brake press. The bend inside diameter is about 10 times thicker than the panel thickness.



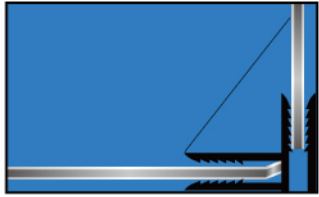
焊接/Welding

面板适用于热空气焊接。使用点热空气焊接设备加热和焊接塑料芯盒塑料焊条。  
The panel can apply to heat air welding. Use heat air weld facility to heat and weld plastic core and plastic welding rod.



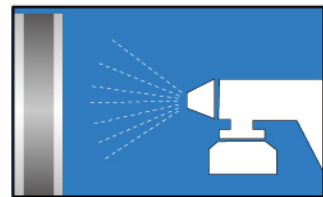
粘接/Adhesive

借助胶粘剂在铝塑板表面上产生的粘合力，使其牢固地连接墙体。  
With the help of adhesive force produced on the surface of the aluminum composite panel, ACP is firmly connected to the wall.



夹紧/Clamp

对铝塑板施加夹紧力，以防止它移动。  
Applying the clamping force on the aluminum plate, to prevent it from moving.



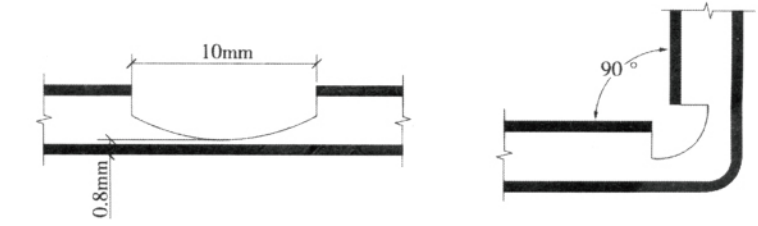
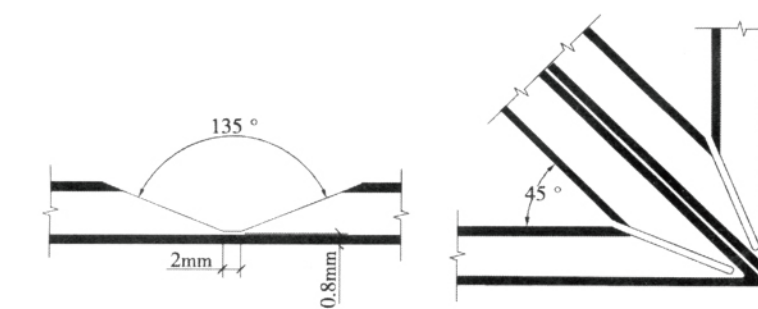
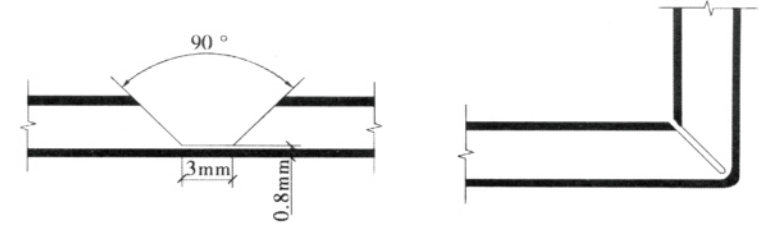
喷漆/Paint

通过喷枪借助于空气压力，分散成均匀而微细的雾滴，涂施于被涂物的表面。  
Through the gun with the help of air pressure, disperse into uniform and fine droplets, applying to be a method of surface coating.

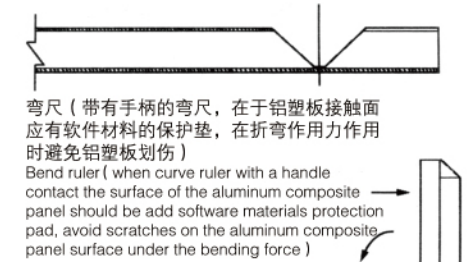


挖刨+折边/Dig+Hem

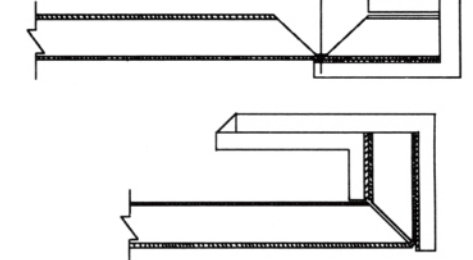
对铝塑板的边缘进行需要性的折边处理，使其达到特定性能。  
For the require hem treatment of aluminum composite panel edge, so as to achieve the specific performance.



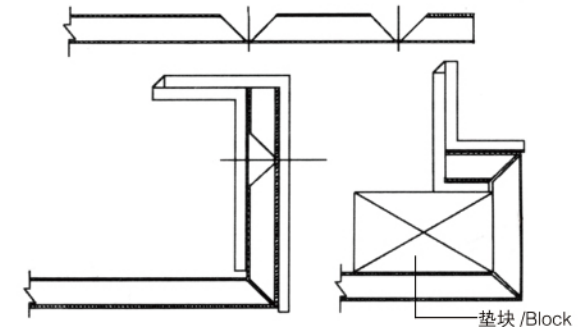
几种典型的加工开槽示意  
Several typical processing and slotting schematic diagram



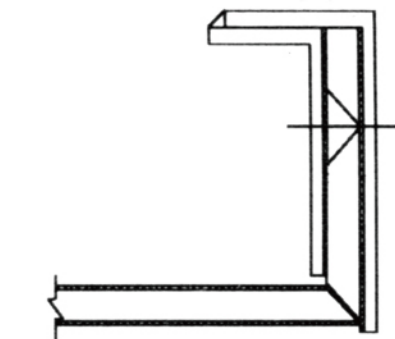
弯尺（带有手柄的弯尺，在于铝塑板接触面应有软件材料的保护垫，在折弯作用力作用时避免铝塑板划伤）  
Bend ruler ( when curve ruler with a handle contact the surface of the aluminum composite panel should be add software materials protection pad, avoid scratches on the aluminum composite panel surface under the bending force )



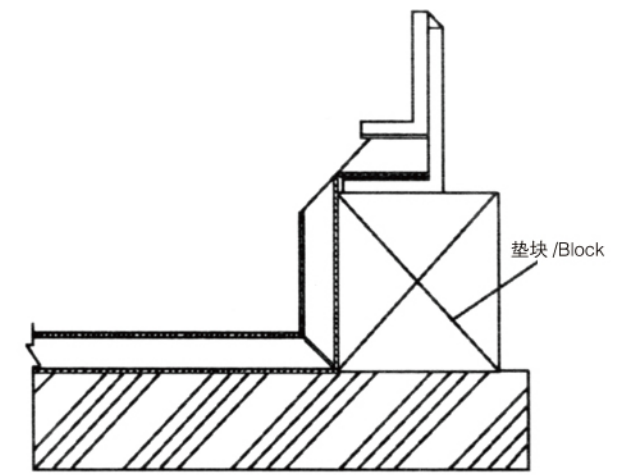
普通折弯示意  
General bending diagram

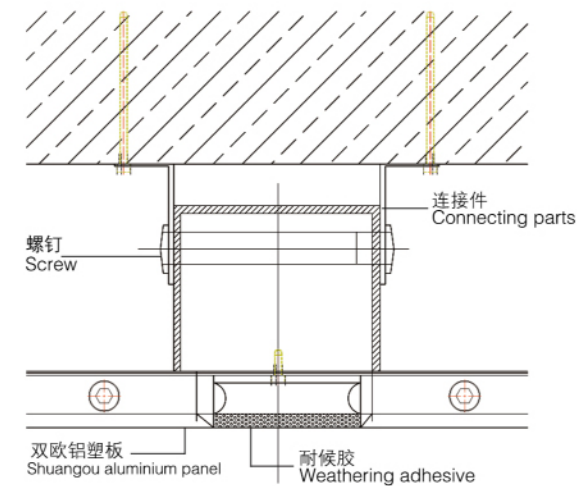
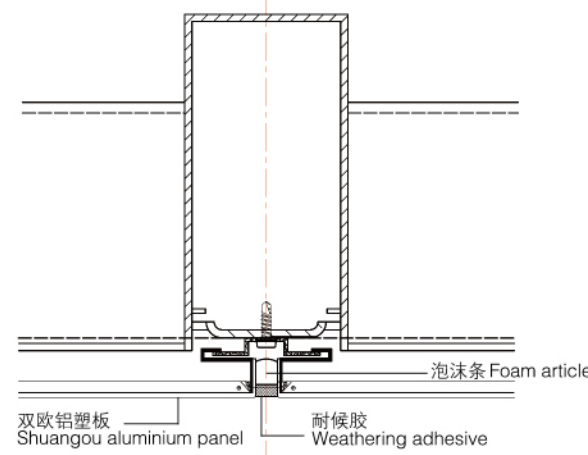
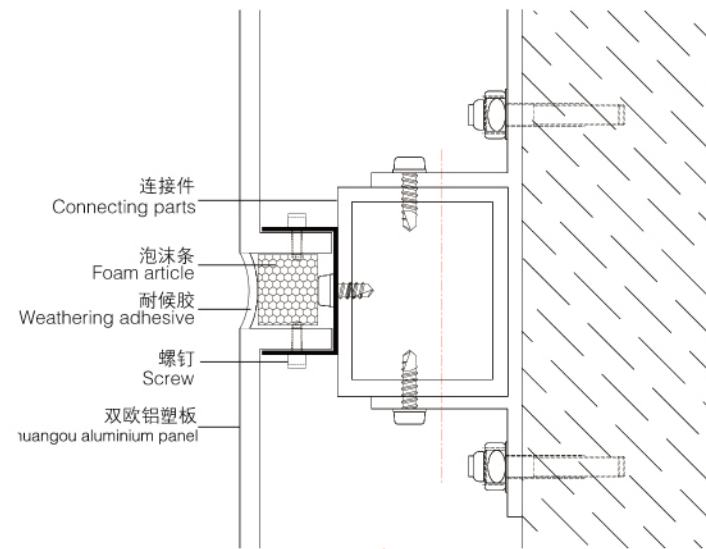
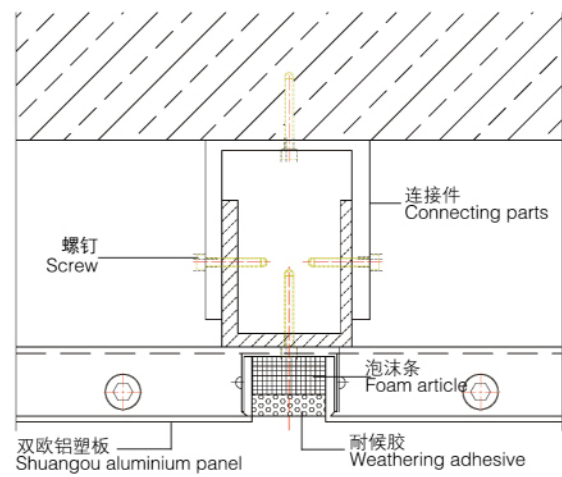
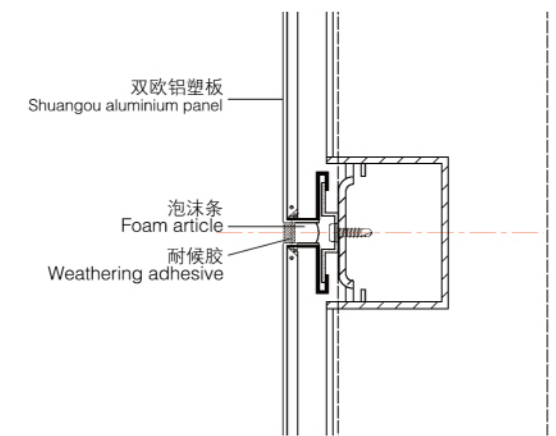
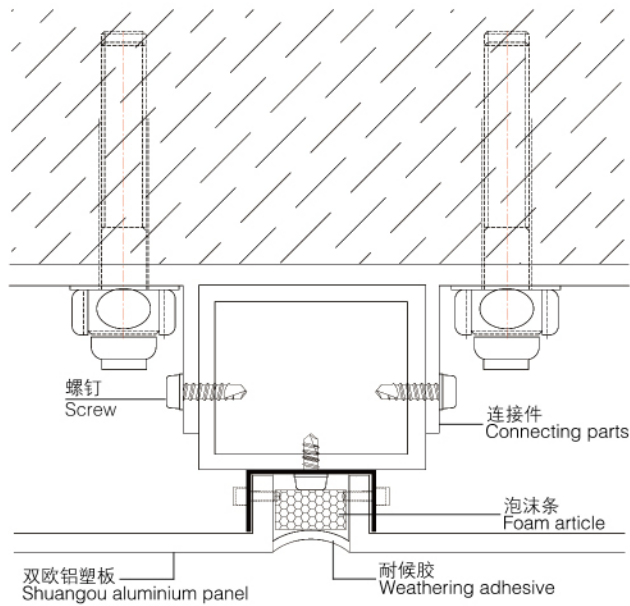


直角凸形二次折弯示意图  
Schematic diagram of right angle Convex 2 bends

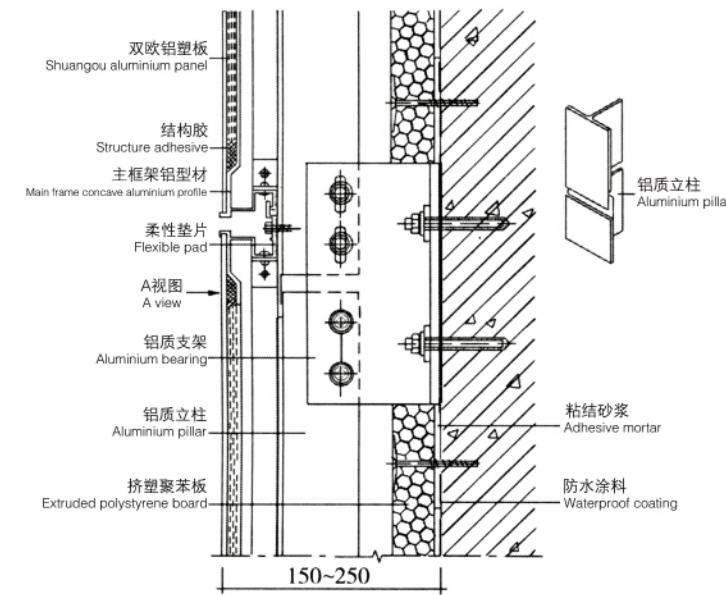


直角凹形折弯示意图  
Schematic diagram of right angle Concave bend

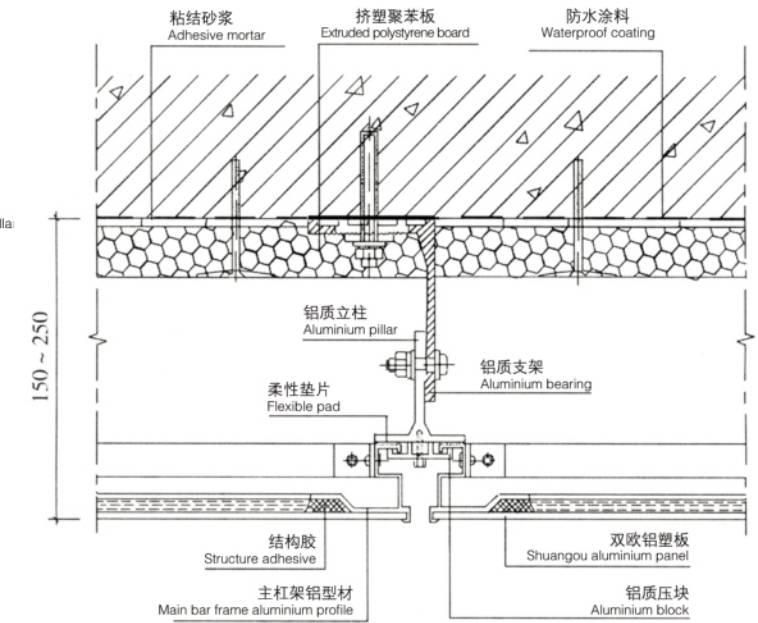




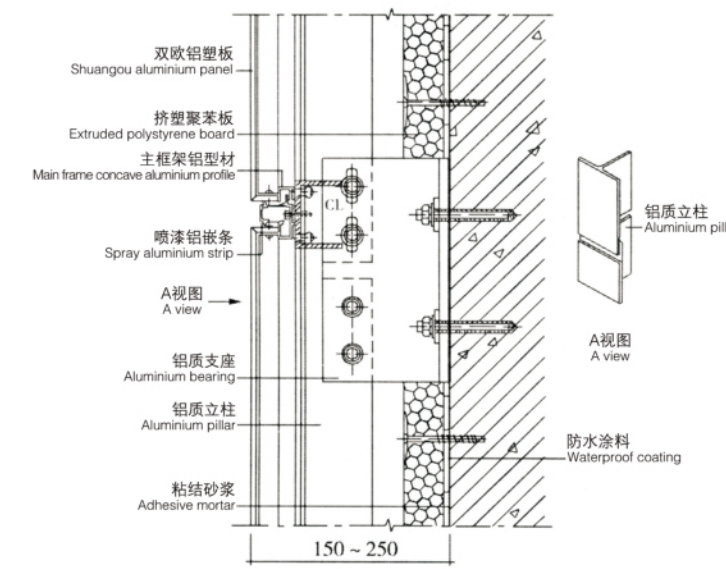
安装节点示意图 | Install node diagram



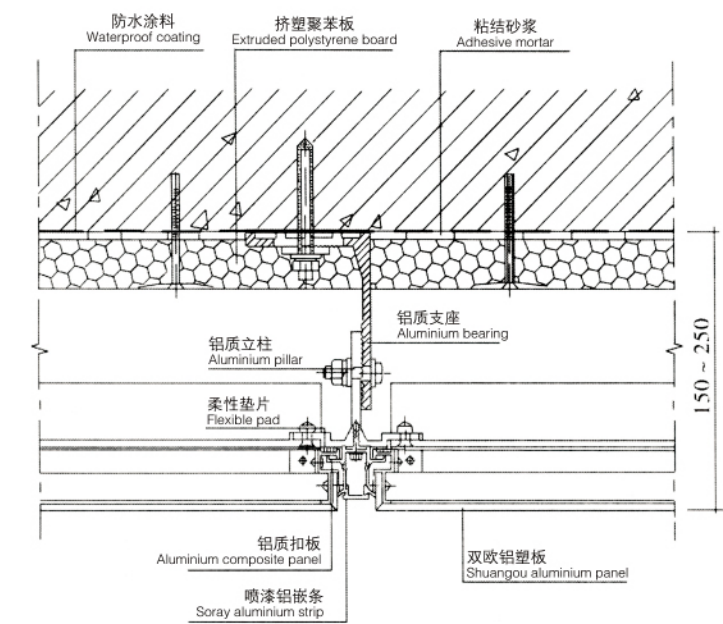
边框式节点一 | A type of border node



边框式节点二 | B type of border node



嵌条节点一 | A type of fillet joint



嵌条节点二 | B type of fillet joint

## 国家建筑材料测试中心检测报告

Test Report of State Test Center of Building Materials

### 铝塑板 Aluminium Composite Panel

测试项目 Items	优等品标准指标 Standard index of quality product	检测结果 Result	结论 Conclusion	
外观 Appearance	表面整洁、无鼓泡、疵点、划伤、色差等缺陷 Clean surface without swell,flaw,scratch and aberration	通过 Pass	合格 Qualified	
	长度 Length:±3mm	0mm~+2mm		
	宽度 Width:±2mm	0mm~+1mm		
尺寸偏差 Deviation of dimension	厚度 Thickness:±0.2mm	0mm~+0.14mm		
	对角线差 Deviation of diagonal:≤5mm	1mm	合格 Qualified	
	边沿不直度 Out of straight at sides:≤1mm/m	0.2mm/m	合格 Qualified	
	翘曲度 Warp:≤5mm/m	1mm/m	合格 Qualified	
涂层厚度 Thickness of coating	≥25um	29um(平均值av.30) 29u ( av.30 )	合格 Qualified	
光泽度偏差 Deviation of luster	≤10	2.1(平均值av.28.0) 2.1 ( av.28.0 ) 2H	合格 Qualified	
铅笔硬度 Hardness of pencil	≥HB	3H	合格 Qualified	
涂层柔韧性 Toughness of coating	≤2T	2T	合格 Qualified	
附着力 Adhesive	不次于一般 Not less than Grade 1	划格法0级, 圆滚线划痕法1级 Squaring off method of Grade 0 Grade lmarking method of rolling line	合格 Qualified	
耐冲击性 Impact strength	50Kg.cm 不脱漆、无裂纹 50Kg.cm Without paint off and crack	通过 Pass	合格 Qualified	
耐沸水性 Boiling water resistance	煮沸 2h 无变化(Boiling for 2h without change)	无变化 Unchanged	合格 Qualified	
耐酸性 Acid resistance	5% HCl(v/v) 浸渍表面 24h 无变化 Immerse surface with 5%HCl(v/v) for 24H without change	无变化 Unchanged	合格 Qualified	
耐碱性 Alkali resistance	5% NaOH(m/m) 浸渍表面 24h 无变化 Immerse surface with 5%NaOH(m/m) for 24H without change	无变化 Unchanged	合格 Qualified	
耐油性 Oil resistance	20#机油浸渍表面 24h 无变化 Immerse surface with 20# engine oil for 24H without change	无变化 Unchanged	合格 Qualified	
耐溶剂性 Solvent resistance	丁酮擦洗100次无变化 Clean 100 times with butanone without change	不露底 Bottom unrevealed	合格 Qualified	
耐洗刷性 Cleaning resistance	≥10000次无变化 (≥10000 times without change)	无变化 Unchanged	合格 Qualified	
耐磨耗性 Abrasion resistance	≥5L/um	5.33L/um	合格 Qualified	
耐沾污性 Contamination resistance	≤15%	7.8%	合格 Qualified	
耐密度 Density of surface	规定值:±0.5kg/m <sup>2</sup> Specified value: ±0.5Kg/m <sup>2</sup>	5.32kg	合格 Qualified	
弯曲强度 Bend strength	≥100Mpa	≥121Mpa	合格 Qualified	
弯曲弹性模量 Flexuous modulus of elasticity	≥2.0 × 10 <sup>4</sup> Mpa	3.12 × 10 <sup>4</sup> Mpa	合格 Qualified	
贯穿阻力 Through resistance	≥9.0kN	9.94kN	合格 Qualified	
剪切强度 Cutting strength	≥28.0Mpa	32.0Mpa	合格 Qualified	
180°剥离强度 180° peel strength	≥7.0N/mm	11.2N/mm	合格 Qualified	
耐温变性 Resistance to change of temperature	-40℃~80℃ 20次循环无变化 -40℃~80℃ 20 cycles without change	无变化 Unchanged	合格 Qualified	
热变形温度 Heat deformation temperature	≥95℃	120℃	合格 Qualified	
热膨胀系数 Coefficient of heat expansion	≤4.00 × 10 <sup>-4</sup> /℃	1.98 × 10 <sup>-4</sup> /℃	合格 Qualified	
耐盐雾性 Salt haze resistance	不次于2级 Not less than Grade2	一级 Grade 1	合格 Qualified	
耐人工候老化 (2000h)	色差 Artificial resistance aberration	≤3.0	合格 Qualified	
	失光等级 Aging resistance Out of light	不次于2级 Not less than Grade2	1级	合格 Qualified
	其他老化性能 other aging characteristic	0级	合格 Qualified	

检验结果符合GB/T17748-1999标准优等品指标要求, 所抽检产品为优等品。  
The test result meets the index requirements of quality product of GB/T17748-1999.

### 铝塑防火板 Fireproof Panel Aluminium Composite Panel

检验项目 Test item	检验方法 Test method	技术指标 technical index	技术结果 Result	结论 Conclusion
燃烧增长速率指数 (FIGRA), W/s	GB/T 20284-2006	≤120	10	合格 Qualified
600s内总热释放量 (THR600s), MJ	GB/T 20284-2006	≤7.5	1.9	合格 Qualified
火焰横向蔓延长度 (LFS), m	GB/T 20284-2006	<试样边缘 Sample side	符合要求 Pass	合格 Qualified
燃烧长度 (Fs), mm	GB/T 8626-2007	≤150	0	合格 Qualified
烟气生成速率指数 (SMOGRA), m <sup>2</sup> /s <sup>2</sup>	GB/T 20284-2006	≤30	1	合格 Qualified
600s内总产烟量 (TSP600s), m <sup>2</sup>	GB/T 20284-2006	≤50	33	合格 Qualified
燃烧滴落物/微粒 Drops after burning	GB/T 20284-2006	600s内无燃烧滴落物/微粒 600s no drops after burning	符合要求 Pass	合格 Qualified
过滤纸是否被引燃 If filter paper catch fire	GB/T 8626-2007	过滤纸未被引燃 Filter paper not catch fire	符合要求 Pass	合格 Qualified
产烟毒性, 级 Noxious fumes	GB/T 20285-2006	ZA3	ZA3	合格 Qualified

检验结论: 经检验该材料各项指标均符合难燃材料的规定要求。按GB8624-1997规定, 该材料燃烧性能达到GB8624B1级

Conclusion of test: Test proved that all indices of the material meet the standard requirements of regulation on unflammmable materials. It's judged in accordance with GB8624-1997 than the inflammmability of this material has reached standard of GB8624, Gread1.





# SHUANGOU 铝蜂窝板系列

## NO.3

Aluminum honeycomb panel series

双欧牌铝蜂窝板采用 3003 西南铝作为面板和底板，中间为铝质六边形蜂窝，双组份胶水，抽真空复合而成。

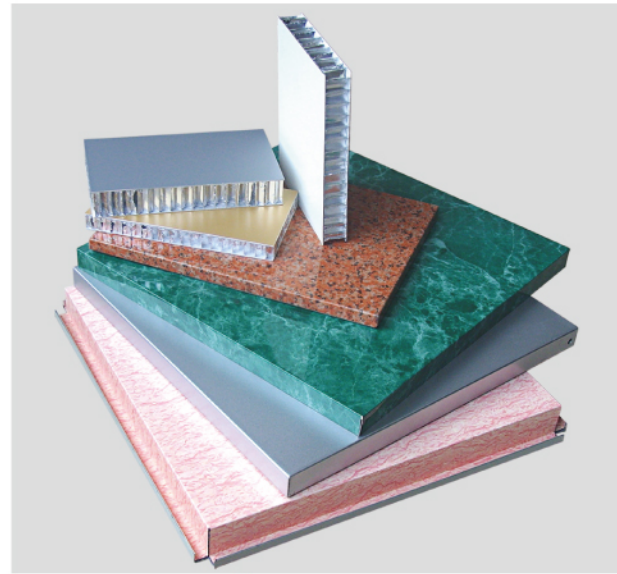
铝蜂窝板具有密度小（每平方米大约为 3 ~ 7 公斤），是同厚度同面积木板重量的 1/5，玻璃的 1/6、铝材的 1/7，大大降低建筑载荷和造价，由于中间夹层含大量空气，可隔音（空气隔声量可达 30dB）、隔热（热阻可达  $0.02(m^2 \cdot K/W)$ ），无可燃物质，防火等级达到 A2 级，防水、防潮、无有害气体释放，单位质量轻、强度大、刚度高（结构刚度为肋式的 1.7 倍），不易变形，有极高的平整度，抗震性能好，完全克服了其它装饰板在单块面积大时的变形、中间塌陷等缺点。并且加工应用方便，可任意切割折边，表面可采用多种颜色，其中氟碳涂层可保产品寿命在 30 年以上，并且有耐抗压、承载负荷大、重量轻，可 100% 回收的优点。

应用在航空航天、车辆船舶、幕墙装饰、墙板装饰、吊顶装饰、架空地板、电梯等高强度重量轻的装饰板材行业。

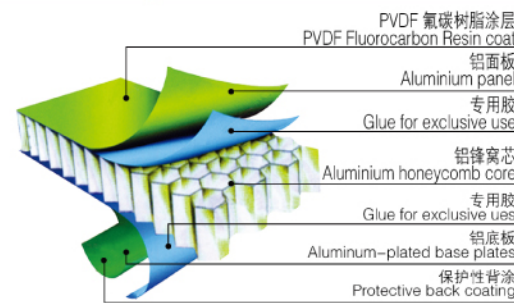
Shuangou aluminum honeycomb panels with 3003 SWA as the panel and the bottom plate, intermediate for aluminum honeycomb, two-component glue, pumping vacuum compound.

Aluminum honeycomb panels has the advantages of small density (3 ~ 7 kg per square meter), it is the 1/5 of the same area of wood, 1/6 of glass, 1/7 of aluminum, which greatly reduce the load and cost. The interlayer contains a large amount of air, which can insulate noise (airborne sound insulation capacity is 30dB), insulate heat (thermal resistance is  $0.02 (M^2 \cdot K/W)$ ), no combustible material, fireproof is grade A2, waterproof, moisture-proof, no harmful gases, high unit mass strength, high stiffness (the stiffness structure is 1.7 times than rib type), not easy to deformation, smoothness high, anti-seismic, completely overcomes the disadvantages of other decorative plate like deformation, intermediate collapse and so on. And our honeycomb panel is easy to process, it can be cutting edge, use a variety of colors, and fluorocarbon coating has a life of 30 years, and have high impact resistance, heavy load, light weight, and 100% recovery.

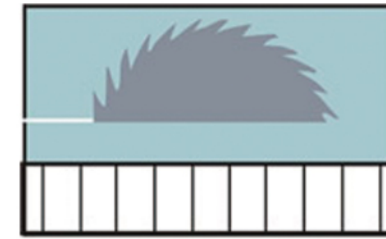
It is widely used in the aerospace, vehicle and ship, curtain wall decoration, wall decoration, ceiling decoration, elevated floor, elevator, and other high strength, light weight decorative plate industry.



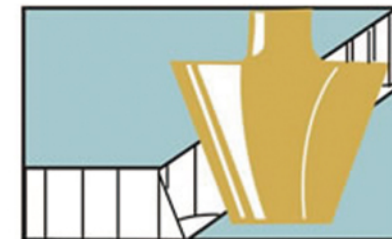
铝单板结构图 / Aluminum veneer structure



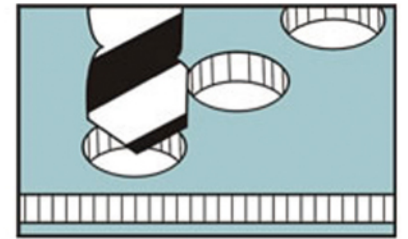
### Processing method | 加工方法



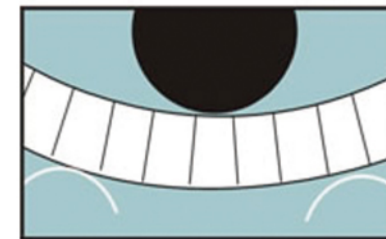
切割 Cutting



开槽 Grooving



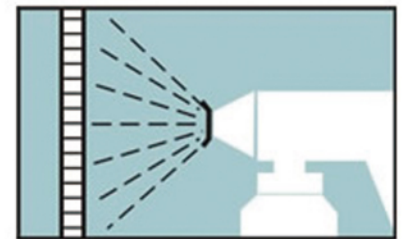
钻孔 Drilling



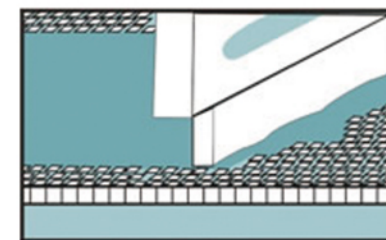
辊弯 Roll



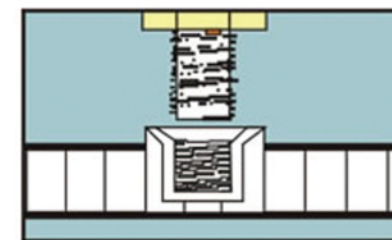
艺术图形加工  
Art graphics processing



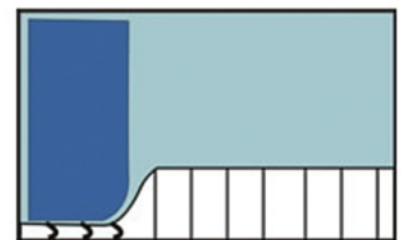
表面再喷漆  
Repainting the surface



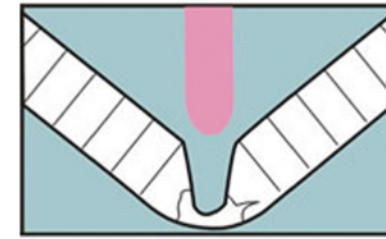
表面丝网印刷  
The surface screen printing



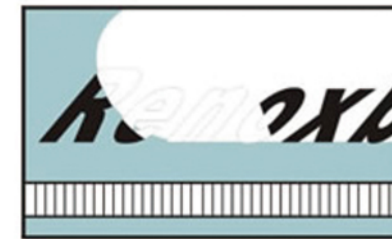
背栓连接  
Back bolt connections



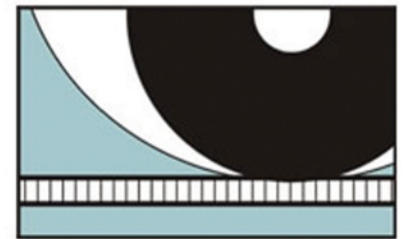
边部压缩成型  
Edge compression molding



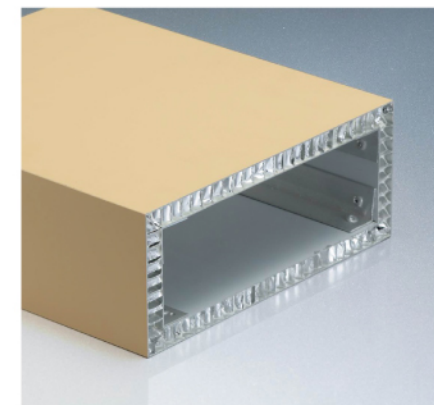
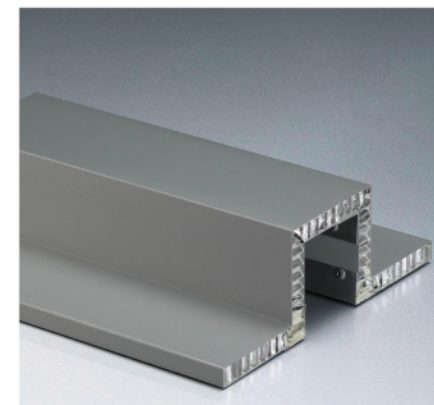
压型折弯  
Pressing bend



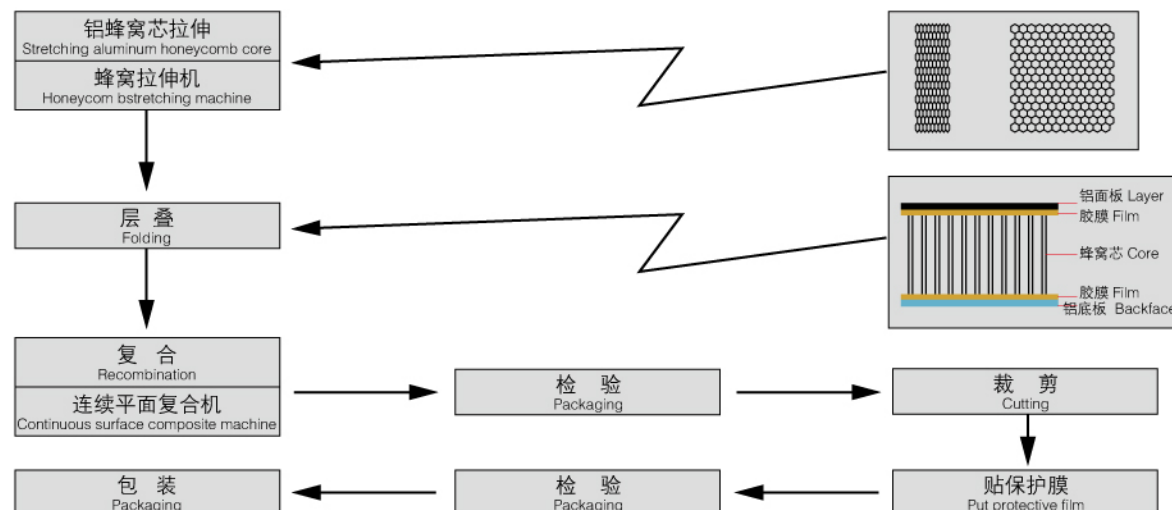
文字粘贴  
Paste the text

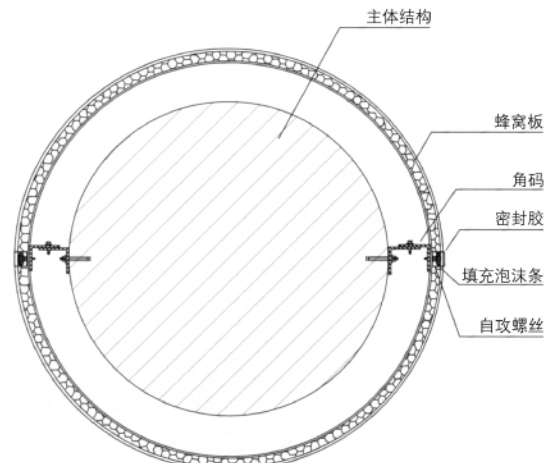


表面贴膜  
Screen protector

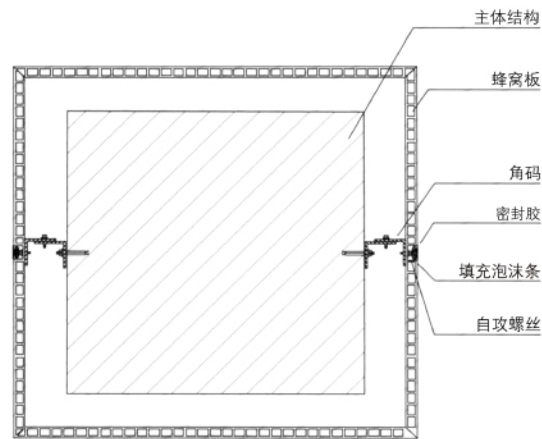


### 生产工艺 | Production process

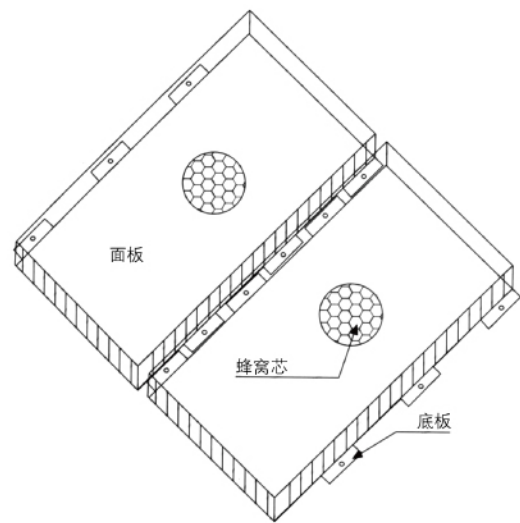




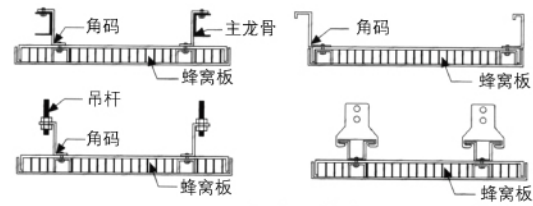
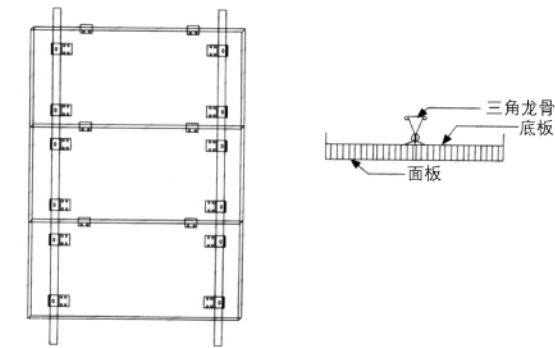
圆柱安装示意图  
The cylinder installs sketch map



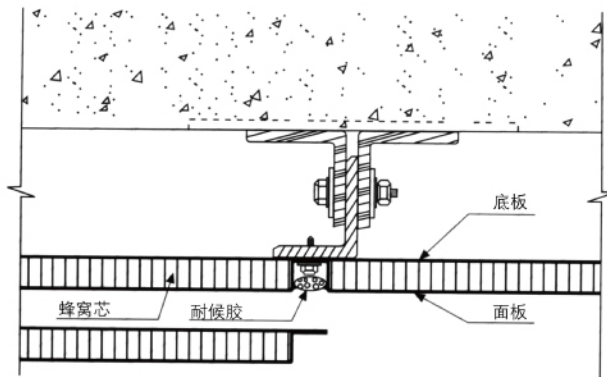
方柱安装示意图  
The square pillar sketch map



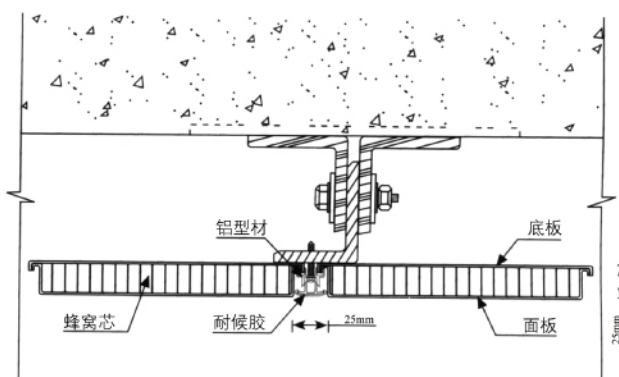
铝蜂窝板安装节点图  
Joints and points of honeycomb planking



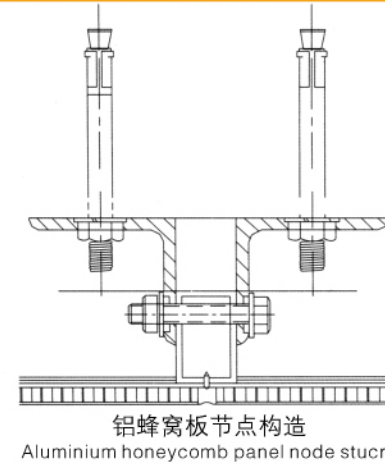
天花安装节点图  
The ceiling installs node diagram



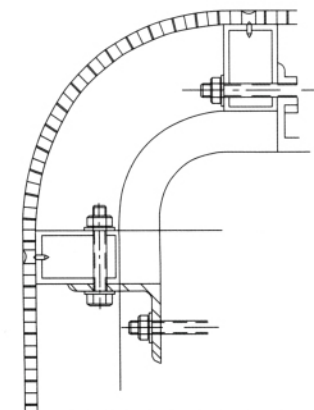
自身连接角码安装节点图  
Oneself conjunction the decoding install node diagram



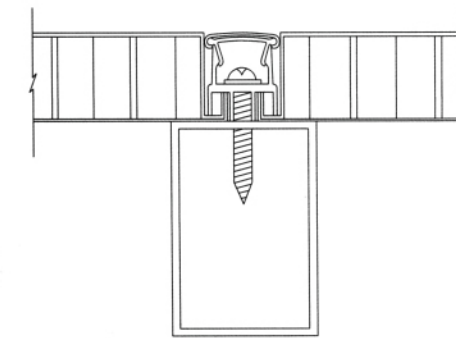
型材扣压式安装节点图  
The type material buttons up the press type gearing node diagram



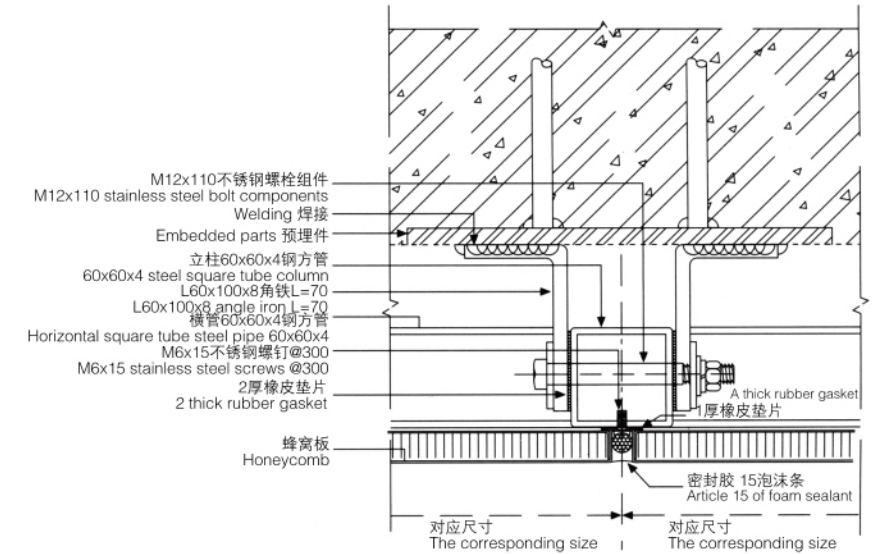
铝蜂窝板节点构造  
Aluminium honeycomb panel node stucure



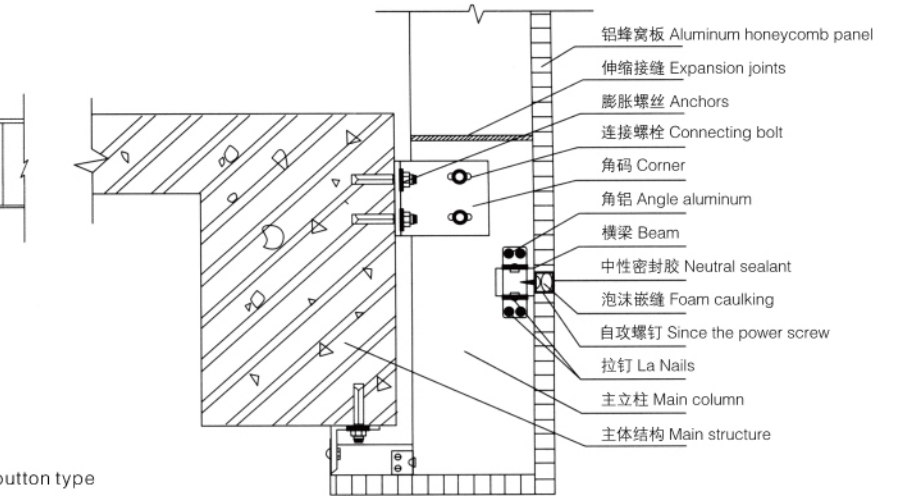
铝蜂窝板圆角剖面图  
Round corner section plane



铝蜂窝板扣压式安装图  
Sketch map of installation honeycomb panel button type



留缝结构图  
Joint structure and plan to stay



## 国家建筑材料测试中心监测报告

### 1 要求

复合板外观应整洁，切边平直整齐无毛刺，正反面无铝蜂窝芯外露，折边处无明显裂纹，非装饰面无影响产品使用的损伤，产品无脱胶。装饰面外观质量应符合表2的规定。

表2 外观质量

缺陷种类		技术指标
凹痕		不允许
印痕		不允许
漏涂		不允许
鼓泡		不允许
疵点	最大尺寸/mm	≤3
	数量/(个/m <sup>2</sup> )	≤3
擦伤和划痕	深度	不大于表面装饰层厚度
	总长度/(mm/m <sup>2</sup> )	≤50
	总面积/(mm <sup>2</sup> /m <sup>2</sup> )	≤150
	总处数/(处/m <sup>2</sup> )	≤4
色差		不明显 仲裁时ΔE≤2.0

a 对于表中为涉及到的表面缺陷，本着不影响需方式用要求为原则由供需双方商定。  
b 装饰性的花纹和色彩除外。

### 2 尺寸及允许偏差

#### 2.1: 尺寸

2.1.1: 产品厚度不应小于10mm。

2.1.2: 矩形平面板的常用规格尺寸见表3，异性板的规格尺寸由供需方商定。

表3 矩形平板常用规格尺寸

项 目	规格尺寸
长度	2000、2400、3000、3200
宽度	1200、1250、1500
厚度	10、15、20、25、30、40、50

单位为毫米

#### 2.1 允许偏差

矩形平面板的尺寸允许偏差应符合表4的要求，异性板的尺寸允许偏差由供需双方商定，复合板组件的尺寸允许偏差应符合GB/T21086-2007中第8章的规定。

表4 尺寸允许偏差

项 目	技术指标	
边长L/mm	L ≤ 2000	±2
	L > 2000	±3
厚度/mm	±0.25	
对角线长度差/mm	≤3	
边直度/(mm/m)	≤2	
平整度/(mm/m)	≤2	

### 3 铝板厚度

复合板的面板标称厚度不应小于1.0mm，背板标称厚度不应小于0.7mm，铝板允许负偏差取正值。

### 4 装饰面层厚度

对装饰面层为涂层的产品，生产商应表明涂层的涂装方式和涂层层数。装饰面层厚度应符合表5的规定。

表5 装饰面层厚度

项 目		技术指标	
氟碳涂层厚度	二 涂	辊 涂	平均值 ≥25
			最小值 ≥23
		喷 涂	平均值 ≥30
			最小值 ≥25
	三 涂	辊 涂	平均值 ≥32
			最小值 ≥30
		喷 涂	平均值 ≥40
			最小值 ≥35
阳极氧化膜厚度		平均值	≥20
		最小值	≥16

涂层厚度是指涂层总厚度

单位为毫米

### 5 性能

5.1装饰面层性能：复合板的装饰面层性能应符合表6的规定。注：除非有特殊说明，以下所称的涂层均指产品装饰面层。

表6 装饰面层性能

项 目	技术指标	
	氟碳涂层	阳极氧化膜
表面硬度	≥ H B	--
涂层光泽度差	≤10	≤10
涂层柔韧性/T	≤2	--
涂层附着力/级	标准实验室条件	0
	耐热水性试验后	0
	耐温变性试验后	0
涂层耐磨耗性/级	SiO <sub>2</sub> 砂/(L/μm)	≥5
	SiC 砂/(g/μm)	--
涂层耐盐酸性	无变化	--
涂层耐油性	无变化	--
涂层耐碱性	无鼓泡, 凸起, 粉末等异常, 色差ΔE ≤2	--
涂层耐硝酸性	无鼓泡, 凸起, 粉末等异常, 色差ΔE ≤5	--
封孔质量/(mg/dm <sup>2</sup> )	--	≤30
涂层耐溶剂性	不露底	--
涂层耐沾污性/%	≤5	≤5
耐盐雾性/级	无脱胶, 涂层腐蚀等级不次于1级	无脱胶, 涂层腐蚀等级 ≥9级
	色差ΔE	≤4.0
耐人工侯老化	失光等级/级	不次于2
	涂层其他老化性能/级	0
	外观	无脱胶

5.2 物理性能：复合板的物理性能应符合表7的规定。

表7 物理性能

项 目	技术指标	
滚筒剥离强度/(N·mm/mm)	平均值	≥50
	最小值	≥40
平拉强度/MPa	平均值	≥0.8
	最小值	≥0.6
平压强度/MPa	≥0.8	
平压弹性强度/MPa	≥30	
平面剪切强度/MPa	≥0.5	
平面剪切弹性强度/MPa	≥4.0	
弯曲刚度/(N·mm <sup>2</sup> )	≥1.0×10 <sup>9</sup>	
剪切刚度/N	≥1.0×10 <sup>4</sup>	
耐撞击性能	无明显变形及破坏	
耐热水性	外观	无异常
	滚筒剥离强度最小值/(N·mm/mm)	≥30
耐温变性	外观	无异常
	滚筒剥离强度最小值/(N·mm/mm)	≥40

a 对打孔的板，力学性能可由供需双方商定。

b 对于厚度大于50 mm 的产品可由供需双方商定。

5.3 燃烧性能：复合板的燃烧性能应不低于GB 8624-2006规定的B-s2, d2, t1级。

# SHUANGOU 金属装饰保温板

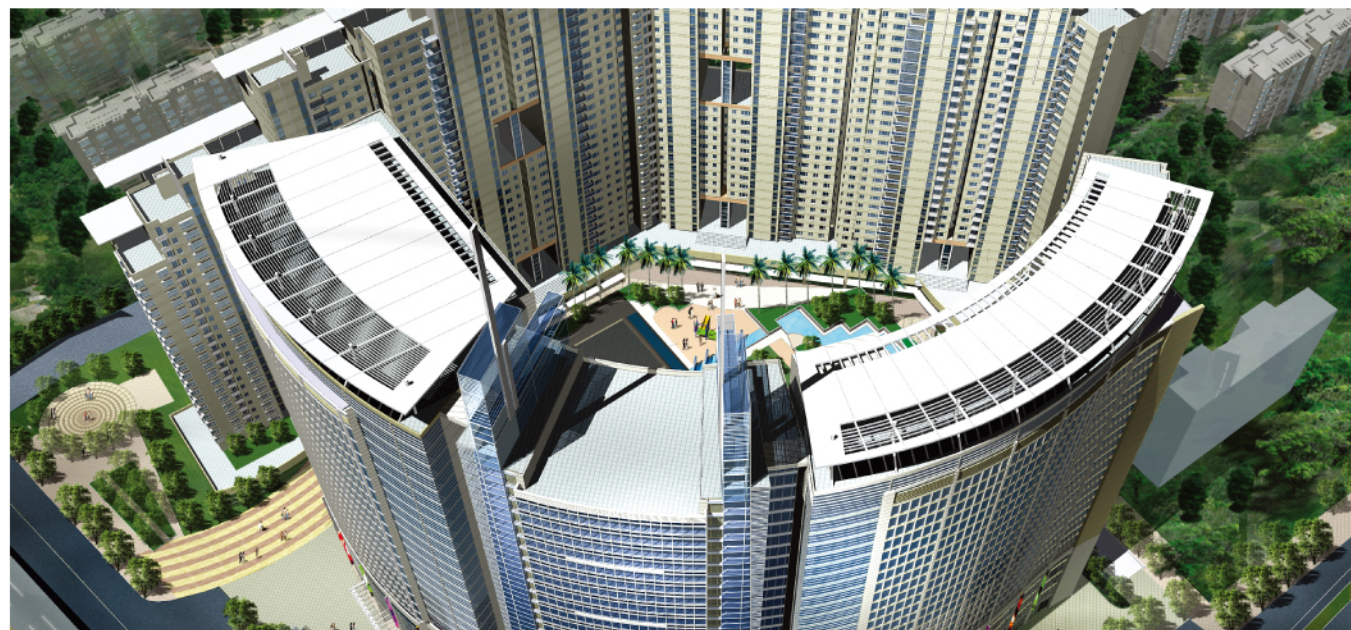
## NO.4 Metal decorating thermal insulation panel

金属装饰保温板，年产量50万m<sup>2</sup>。采用西南铝3004、5052系列高强度铝镁锰合金防锈铝板，或韩国项浦不锈钢板、进口XPS保温板、美国DUPONP胶水、美国PPG 70%以上氟碳涂料、法国诺凡尔塞保护膜，为优良品质提供了足够的保证！属于国家建设部节能省地型建筑推广应用技术项目，同时为《金属饰面保温板国家标准》受邀制定起草单位，并拥有自主知识产权。已被国内多家重点工程所采用。

Thermal insulation panel with metal decorating produced 500000 SQM, adopt 3004 and 5052 series of anti-rust aluminum panel or stainless steel of xiangpu from Korea and imported XPS insulation plate, adhesive film of Amercia DUPONG and Americian PPG paint with more than 70% PVDF and protective film of France,so the panel have good quality! It is credited by National Ministry of Construction for its economization of land and energy. "Metal decorating thermal insulation panel national standards" was invited to the drafting unit,we have our own intellectual property rights of development.it has been applicated for many famous projects in china.



- |            |                               |
|------------|-------------------------------|
| 1. 保护膜     | protective film               |
| 2. 罩光漆     | clear lacquer                 |
| 3. 氟碳涂料    | PVDF paints                   |
| 4. 氟碳底漆    | PVDF priming                  |
| 5. 铬酸盐处理   | chromate processing           |
| 6. 高强度铝板   | high-strength aluminium       |
| 7. 铬酸盐处理   | chromate processing           |
| 8. 防锈背涂    | back coating against rusty    |
| 9. 耐候强力胶   | Weather Resistance Super Glue |
| 10. XPS保温层 | XPS thermal insulation plate  |

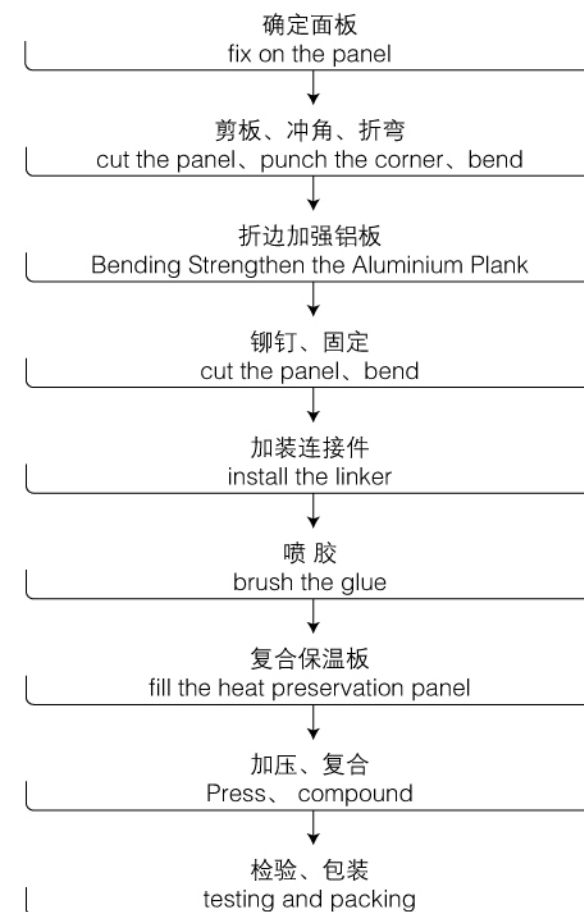


### Product characteristic | 产品特性

金属装饰保温板外墙外保温装饰系统，具有传热系数低、装饰效果好、平整度好、经久耐用不易老化、产品自重轻、安全牢固、搬运安装方便、使用成本低等优点。同时解决了以前胶粉聚苯颗粒、膨胀聚苯板薄抹灰外墙外保温系统中出现的开裂、鼓包、脱落、施工复杂、翻新困难等问题。并且解决了以前铝单板、铝蜂窝板、铝塑板、不锈钢板等其他金属幕墙，造价昂贵、施工复杂、易变形等问题。

Thermal insulation panel with metal decorating is one kind of thermal insulation and decoration system outdoor. It has a lot of merits, such as low ratio of heat transference, good effect of decoration ,good smooth durable and aging resistance, light weight, safety, convenient transportation and installation, low cost. Before when plastering powdered resin and expanded polystyrene granule on the exterior of the thermal insulation system , some problems often occur like cracking , bulging, dropping , difficult execution of construction and complicated retreading, but now those questions have been solved. Besides, it resolves the defects of aluminium panel , aluminium honey panel, aluminium composite panel and steel panel like expensive cost , complex construction and easy variant.

### Production process | 生产工艺



标准尺寸：宽1200mm 总厚41mm  
Standard size : 1200mm(width) total thickness of panel:41mm  
可选面板以下：1、2、3  
Top plank as you requested :  
1.铝板常规厚：1.0mm、1.1mm、1.2mm  
General aluminium thickness : 1.0mm、1.1mm、1.2mm  
2.不锈钢板常规厚：0.9mm、1.0mm、1.1mm  
Stainless steel thickness : 0.9mm、1.0mm、1.1mm  
3.铝塑板常规厚：3.0、4.0mm  
Thickness of ACP : 3.0、4.0mm  
常规宽度：1200mm 展开宽度：1240mm  
Standard width : 1200mm Expanded width:1240mm  
非标宽度：小于1620mm  
Special width : less than 1620mm  
长度：任意  
Length : as you like  
非标板厚：任意  
Special thickness : as you request  
保温板常规厚：40mm 非标厚:任意  
Thickness of XPS : 40mm Special thickness:as you request

具体《安装图解》向本公司索取！  
Detail installation pictures can be got from us!

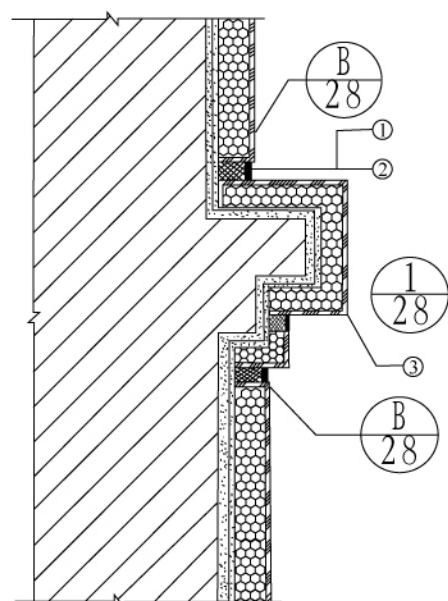
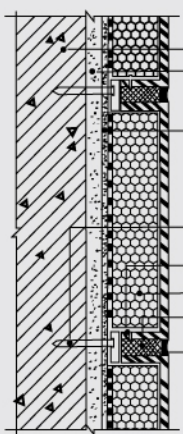
# 保温装饰板系统节点构造

Node structure of thermal insulation decorative panel system

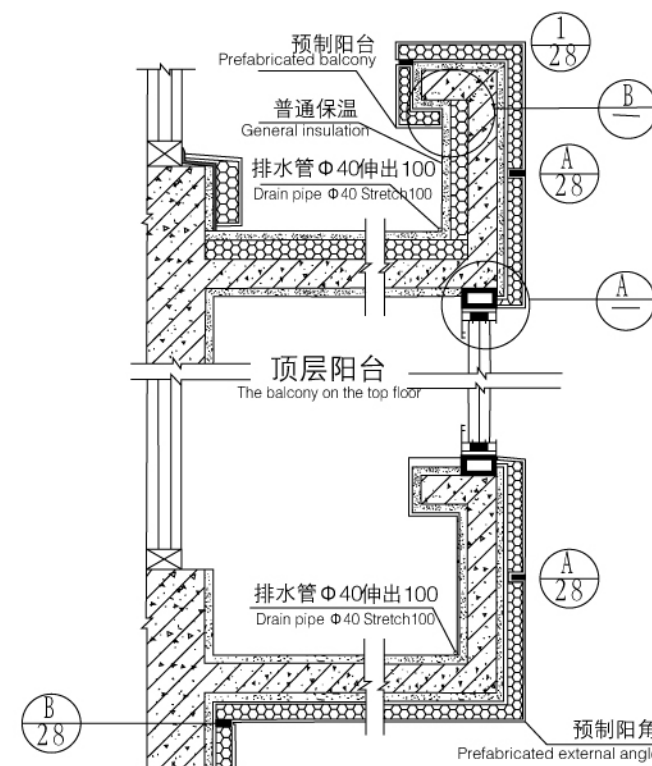
Installation method | 安装方法

系统的基本构造 Basic structure of the system							
基层墙体 Basic wall ①	墙面抹灰层 Wall facing layer ②	粘结层 Bonding layer ③	锚固件 Anchoring parts ④	连接件 Connecting pieces ⑤	装饰面板和保温层 Decorative panel and insulation layer ⑥	嵌缝层 Sealing layer ⑦	美缝缝层 Seam floor ⑧
现浇混凝土墙或各种砌体墙 Cast-in-place concrete wall or masonry wall	水泥砂浆抹灰找平层 Cement mortar plastering leveling layer	胶粘剂或粘贴砂浆 Economic or paste adhesive mortar	塑料膨胀锚栓或其他预埋锚栓 Plastic expansion anchoring bolt or other embedded anchor	锚固连接件和自攻螺钉 The anchor connection and tapping Nuts Nail	装饰面板和保温层(反面具有走气槽) Decorative panel and insulation layer(The opposite has air tank)	保温嵌缝条(泡沫条) Insulating strip(foam strip)	密封耐候胶 Weather resistant rubber seal

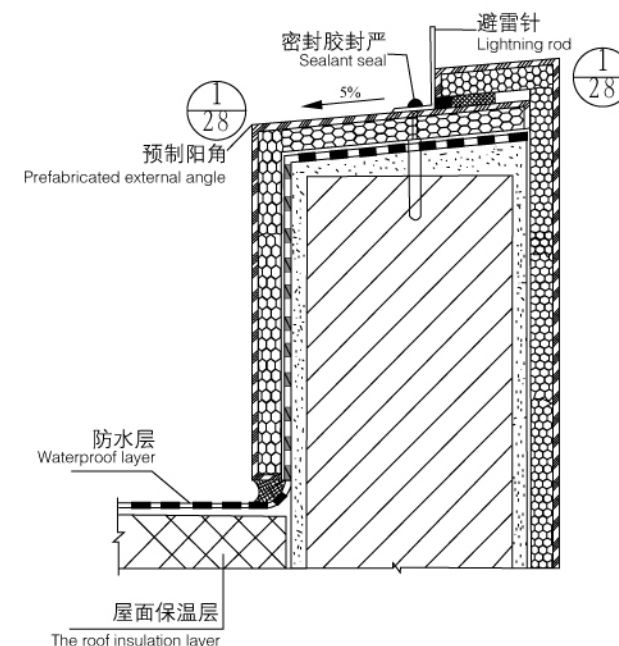
保温装饰板节点示意  
Node of thermal insulation decorative panel



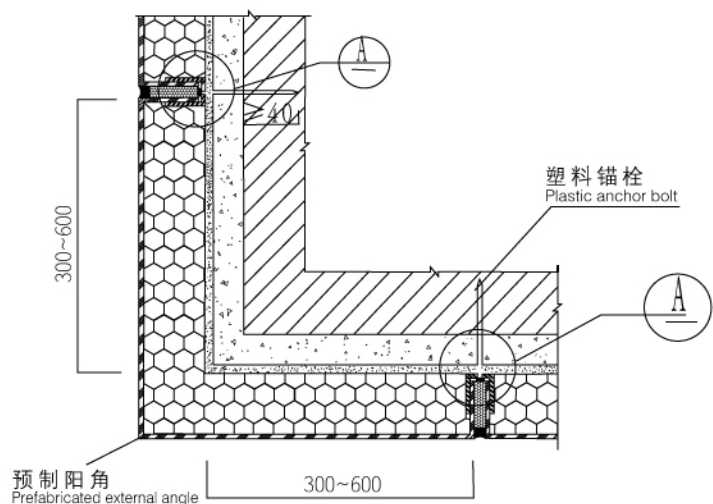
- 1.密封条(侧口注胶)  
Sealing strip ( Side injection )
- 2.保温嵌缝条  
Insulating strip
- 3.整体预制  
Integral prefabricated



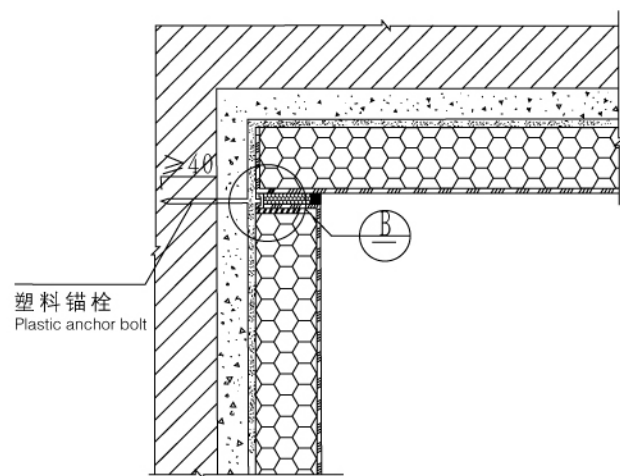
封闭阳台构造 Closed balcony structure



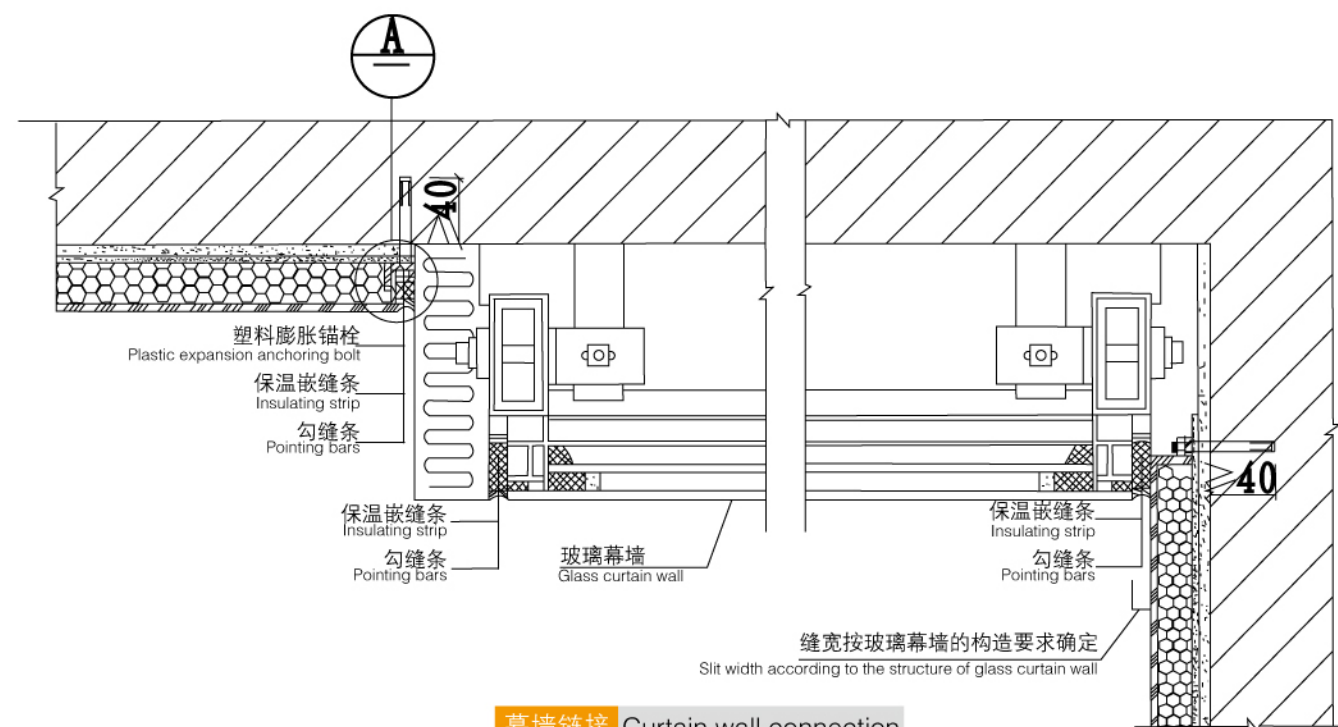
女儿墙构造 Parapet structure



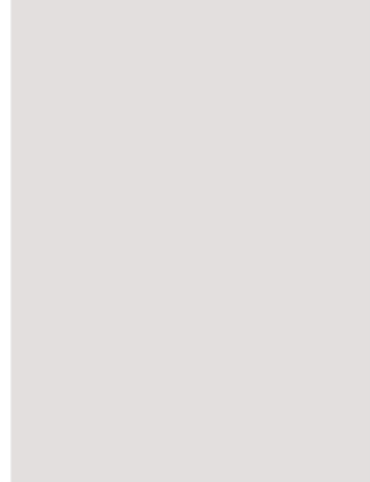
阳角构造 Structure of external angle



阴角构造 Reentrant corner construct



幕墙链接 Curtain wall connection



## 国家建筑材料测试中心监测报告

### 1 要求

#### 1.1 外观质量

此外应整洁，切边平直整齐无毛刺，折边处应无明显裂纹，产品应无脱胶，保温材料应无大块剥落。此外，饰面外观质量还应符合表1的规定。

表1 外观质量

缺陷名称		技术指标
凹痕		不允许
印痕		不允许
漏涂		不允许
鼓泡		不允许
疵点	最大尺寸/mm	≤3
	数量/(个/m <sup>2</sup> )	≤3
擦伤或划痕	深度	应小于饰面涂层厚度
	每平方米累计长度/mm	≤50
	每平方米累计面积/mm <sup>2</sup>	≤150
	每平方米累计(个/m <sup>2</sup> )	≤4
色差		目视不明显 仲裁时配合仪器检测，色差ΔE ≤2.0

注：装饰性花纹和色彩由供需双方商定。

#### 1.2 尺寸允许偏差

1.2.1 常用规格尺寸如下：

a)长度：800mm、1200mm、2400mm；b)宽度：400mm、600mm、1200mm；c)金属装饰保温板的规格尺寸也可由供需双方商定。

1.2.2 矩形板尺寸允许偏差应符合表2的规定。

表2 尺寸允许偏差

项 目		技术指标
边长	≤2000mm	±2
	>2000mm	±3
厚度	<40mm	±2.0
	≥40mm	±3.0
对角线差/mm		≤3
边直角/(mm/m)		≤1.0
平整度/(mm/m)		≤2.0

注：其他规格尺寸的允许偏差，供需双方协商确定。

1.2.3 异型板规格尺寸的允许偏差由供需双方协商确定。

#### 1.3 涂层性能

##### 1.3.1 涂层厚度

涂层厚度应符合表3的规定。

表3 涂层厚度

项 目	技术指标		
涂层铝板	板厚>1mm	二涂	平均膜厚≥25，最小局部膜厚≥23
	板厚>1mm	三涂	平均膜厚≥32，最小局部膜厚≥30
涂层钢板	板厚>0.8mm	二涂	膜厚≥25

单位为微米

##### 1.3.2 光泽度偏差

光泽度偏差不应大于10。

##### 1.3.3 涂层硬度

涂层硬度应符合表4的规定。

表4 涂层硬度

项 目	技术指标	
涂层铝板	≥HB	
涂层钢板	聚酯	≥F
	聚酯	≥HB

##### 1.3.4 涂层柔韧性

涂层柔韧性应符合表5的规定。

表5 涂层柔韧性

项 目	技术指标
涂层铝板	≤2T
涂层钢板	≤3T

##### 1.3.5 涂层附着力

涂层铝板附着力不应次于0级。

##### 1.3.6 涂层化学稳定性

涂层化学稳定性应符合表6的规定。

表6 涂层化学稳定性

项 目	技术指标
耐酸性	无变化
耐碱性	无变化
耐油性	无变化

##### 1.3.7 涂层耐久性

1.3.7.1 涂层铝板的耐久性应符合表7的规定。

表7 涂层铝板涂层耐久性

项 目	技术指标	
	高耐候涂层	普通耐候涂层
耐盐雾性	4000h，不次于1级	720h，不次于1级
耐人工气候老化	4000h，色差≤4.0，失光等级不次于2级 其他老化性能不次于0级	600h，色差≤2.0，失光等级不次于2级 其他老化性能不次于0级

1.3.7.2 涂层钢板的耐久性应符合表8的规定。

表8 涂层钢板涂层耐久性

项 目	技术指标
耐盐雾性	960h，起泡密度和大小等级不大于3级，但不允许同时为3级
耐紫外性	1000h，应无起泡，开裂，粉化不应大于1级

##### 1.4 导热系数

保温材料的导热系数应符合表9的规定。

表9 导热系数

保温材料	STP	EPS	XPS	PU	PF	PVC	OI
导热系数	≤0.006	≤0.030	≤0.039	≤0.025	≤0.030	≤0.040	≤0.040

单位为瓦每米开文

##### 1.5 承载性能

###### 1.5.1 粘贴式

###### 1.5.1.1 平拉强度

平拉强度不应小于0.12MPa，且保温材料内聚破坏；耐水48h后平拉强度不应小于0.10MPa，且保温材料内聚破坏。

###### 1.5.1.2 压缩强度

压缩强度不应小于0.10MPa。

###### 1.5.2 挂板式

抗风压、水密性和气密性应符合国家现行相关标准要求。

##### 1.6 耐温差性

试样表面涂层应无起泡、剥落、开裂等现象，粘结部位应无开胶现象；耐温差试验后平拉强度不应小于0.10MPa，且保温材料内聚破坏。

##### 1.7 燃烧性能

1.7.1 产品的燃烧性能不应低于GB 8624-2006规定的B-s2，d2，t1级

1.7.2 保温材料的氧指数不应低于28%。

# SHUANGOU 彩涂铝卷系列

# NO.5 Color Coated Aluminium Coil

双欧牌铝基板采用西南铝、瑞闽铝 1 系、3 系、5 系优质铝板。前处理药剂采用德国的汉高和凯密特尔，涂料采用美国 PPG 涂料、奥地利老虎涂料、荷兰阿克苏涂料、瑞典 BECKER 涂料。

同时引进德国氟碳膜工艺，提供二十年耐候质保。尤其对原有热转印和多色辊涂不耐候的缺点作了全面的质量保证，对于岗纹颜色 and 木纹颜色和其他多色涂装的铝卷铝板，用在外墙装饰质量更加优越可靠。

提供厚度 0.026mm-1.5mm、宽度不超过 1620mm，各种合金牌号的彩涂铝卷，为你产品增光添彩。

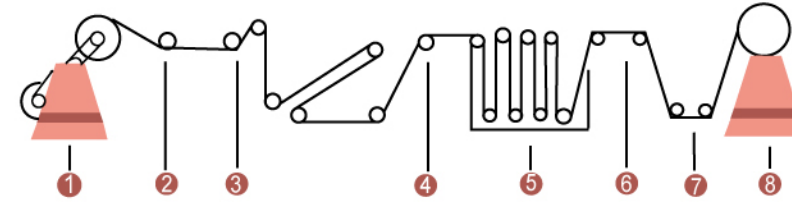
The aluminium materials of Shuangou brand use 1100,3000,5000 series from southwest and Ruimin aluminium factory. The Pretreatment agent use Henkel and Chemetall brand from Germany. The paint use PPG brand from USA, Tiger brand from Austria ,Akzo brand from Netherlands,BECKER brand from Sweden.

We have introduced the latest fluorocarbon film technology from Germany and can provide 20 years quality assurance.In particular,Made a comprehensive quality assurance for the disadvantages of the thermal transfer and color roll coating is not weather resistant.For stone pattern color and wood color and other color coating aluminum coil , aluminum composite panel used in in exterior wall decoration, the quality is excellent and more reliable.

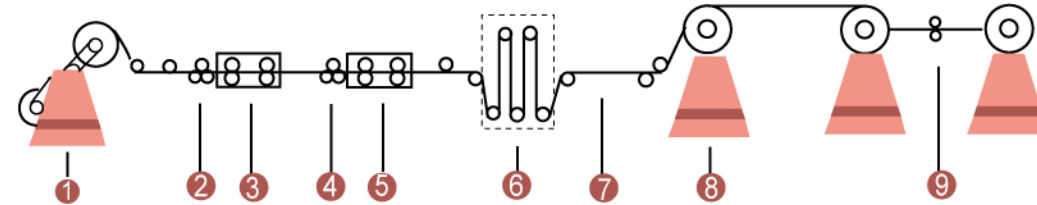
Provide color coated aluminium plank of various alloy marks with a height from 0.026mm to 1.5mm and the most width for 1620mm which can add prestige of your products.



## Production engineering | 生产工艺



- 1.放卷→2.毛刷脱脂→3.浸浴脱脂→4.中和处理→5.皮膜化成→6.干燥→7.质量检验→8.收卷→9.包装  
1. Expand coil→ 2. Brush skim→ 3. Sock skim→ 4. And in the handling→5. Coating into→6. Drying→7. Quality Inspection →8 winding →9. Packaging



- 1.放卷→2.一涂→3.一烘→4.二涂→5.二烘→6.冷却储料→7.质量检验→8.收卷→9.倒卷复检→10.包装  
1. Expand coil→ 2. Frist coating →3. Frist baking →4. Second conling →5. Second bake→6. Cooling reservoir materials →7. Quality Inspection →8. Winding → 9. Daojuan recheck →10.Packing

## Size | 规格

可提供厚度 0.026mm-1.5mm、宽度小于 1620mm，各种合金牌号的彩涂铝卷板，另提供 1.0mm-6mm、宽度小于 1620mm，各种合金牌号的彩涂铝板。

常规宽度：1240mm

Provide color coated aluminium plank of various alloy marks with a height from 0.026mm to 1.5mm and the most width for 1620mm which can add prestige of your products, and also offer 1mm-6mm.

General width:1240mm





### 超耐候性 Ultra-weatherability

优越的超耐候性、超耐腐蚀性及耐污染性，可承受极端的气候条件，不受紫外线和温差的影响，且较其它涂料不易褪色，可永保外观新颖清新；

Super-superior weathering, corrosion resistance and ultra-resistant to pollution, can withstand extreme climatic conditions, free from the impact of ultraviolet light and temperature, and more Other coating not fade, can be protected for many fresh new look;

### 材质轻 Made ligh

纯铝板比其它金属板重量减少 40%，且易于搬运，降低成本；

Pure aluminum metal plate than the other 40 per cent reduction in weight and easy handling, reduce costs;

### 结构性强 Superior construction

易切割、裁剪、刨沟、弯曲成圆弧、直角等各种形状，且用普通金属或木器加工工具就可配合设计师做各种造型的变化；

Easy cutting, cutting, planing ditch, bending into a circular, rectangular, and other shapes, and with ordinary metal or wood processing tools can do all sorts of designers with the changes in shape;

### 颜色均匀 The uniformity of surface coating

由于其表面涂层采用辊涂技术，较其它建材所采用的粉体喷涂，其表面涂层较均匀，且厚度较易控制一致；

Because of its surface coating used scroll painting, other than the building materials used by the powder paint, coating the surface more uniform and easier to control the same thickness;

### 平整性、易保养 Formation、easy maintenance

板材平整，表面光滑，不扭曲，不偏斜，使用清水或中性温和清洁剂清洗，即可使板材永久如新。

Sheet formation, smooth surface, not distorted, skewed, the use of water or a neutral mild detergent cleansing, to make permanent such as the new plates.

### 颜色多，色彩鲜艳 Colorful, bright colorful

常规可供 60 个颜色挑选，可调其他颜色。同时可生产木纹、岗纹等混合色。可选择涂料种类有：氟碳、聚脂、丙烯酸、食品级油漆。

We have 60 colors for chosing and also can do color matching. we have wood grain、stone grain, the coating is includ PVDF、PE 、crylic acid and the paint use for food.



▶ 嘉兴大剧院



▶ 宁波泰富大厦



○ 厦门火车站

▶ 创维集团



▶ 上海金茂中心





▶ 威海机场候机大厅



▶ 上海会展中心



▶ 阿克苏电力有限公司

▶ 厦门万达广场



▶ 大连高新园区科技大厦



▶ 曲江国际会展中心



▶ 阿联酋会展中心



▶ 深圳平安大厦



▶ 南宁火车站

► 广西中国电信综合大楼



► 武昌长源大厦



▶ 汉口锦江国际大酒店



▶ 广州珠江新城





江苏、上海等地近期工程案例

苏州华威	苏州	3000m <sup>2</sup>
常熟永旺	常熟	30000m <sup>2</sup>
常州大成苑	常州	22000m <sup>2</sup>
梅西埃航空及斯耐克玛航空工业新建厂房	苏州工业园区B区启明路70号	12000m <sup>2</sup>
阳湖广场	武进湖塘	10000m <sup>2</sup>
常州南大街商业步行街	南大街	30000m <sup>2</sup>
常州新区现代城	常州新区	5000m <sup>2</sup>
常州新区北区大晋车灯	横山路旁	2000m <sup>2</sup>
常州大成大厦	常州火车站8号	4000m <sup>2</sup>
常州工学院体育馆	常溧路	4000m <sup>2</sup>
常州薛家商贸广场	常州新区顺园路	3000m <sup>2</sup>
常州农业银行	常州延陵北路	5000m <sup>2</sup>
常州青枫公园	常州青枫北路	6000m <sup>2</sup>
常州大燃气公司	常州花园北路	8000m <sup>2</sup>
常州湖塘纺织城	常州市湖塘镇长虹路	15000m <sup>2</sup>
天禄广场	常武中路	6300m <sup>2</sup>
湖塘纺织城	湖塘	3500m <sup>2</sup>
北郊中学体育馆	常州新区长江中路	5000m <sup>2</sup>
无锡南站综合楼	无锡市南站街道	4500m <sup>2</sup>
无锡鸿翔建筑装饰工程有限公司		2500m <sup>2</sup>
无锡龙升玻璃幕墙工程有限公司	无锡通江大道锡北路888号	2800m <sup>2</sup>
无锡花城大厦	无锡梁溪路8号	6000m <sup>2</sup>
无锡汇丰广场大楼	无锡东亭华厦路	25000m <sup>2</sup>
无锡宝通汽车	无锡市虹桥路与建筑路交界处	16000m <sup>2</sup>
无锡工业园	无锡高新区	5900m <sup>2</sup>
天诚大厦	无锡安镇	5100m <sup>2</sup>
苏州夕品科技有限公司大楼	苏州工业园区	2000m <sup>2</sup>
宜兴执法局	宜兴市宜浦路	6000m <sup>2</sup>
宜兴伟峰大厦	宜兴市开发区	5000m <sup>2</sup>
上海世纪广场	上海南京路	2300m <sup>2</sup>
上海旗中网球馆	上海闵行	2500m <sup>2</sup>
上海东圣建筑工程有限公司	上海西藏南路1030号	3200m <sup>2</sup>
上海中航临港船舶设备有限公司厂房	上海市临港	4500m <sup>2</sup>
江苏通州鹏城装饰工程有限公司		3800m <sup>2</sup>
镇江恒美中学	镇江新区	5000m <sup>2</sup>
连云港光伸建材市场	连云港墟沟	8000m <sup>2</sup>
南通天蓝大酒店	南通外环西路	7000m <sup>2</sup>
通州杭道站	通州汽车站旁	3000m <sup>2</sup>
南通恒智工厂	南通经济开发区恒智路	5200m <sup>2</sup>
盐城青少年宫	盐城文化活动中心	4000m <sup>2</sup>
盐城第一中学	盐城北区	6000m <sup>2</sup>
扬州世界之窗	扬州史可法路	6000m <sup>2</sup>
江苏省科技大厦	升州路37号	2000m <sup>2</sup>
南京江宁中医院	南京文苑巷1号	16000m <sup>2</sup>
南京江宁中医药大学康尼医院	天元路88号	13000m <sup>2</sup>
南京江宁温州商业一条街	天元中路	8000m <sup>2</sup>
宜兴金山环保		20000m <sup>2</sup>
无锡天元世家	无锡市红星路8号	50000m <sup>2</sup>
上海康健大厦	上海市闵行区健康路	20000m <sup>2</sup>
南通市崇川街道办事处	南通市人民路	2500m <sup>2</sup>
江苏姜堰皇廷大酒店	泰州姜堰大道	8000m <sup>2</sup>
无锡惠山物流园	无锡市新312国道旁	1500m <sup>2</sup>
无锡威孚柴油动力系统有限公司	无锡华山路	6000m <sup>2</sup>
宜兴金山环保科技大厦	宜兴市华东石材城	22000m <sup>2</sup>
宜兴官林镇社区服务中心	宜兴市官林镇	3000m <sup>2</sup>
无锡体育公园	无锡振兴路	2000m <sup>2</sup>

北京近期工程案例

北京东方时尚驾校	北京大兴狼堡	1500m <sup>2</sup>
A380机库附属综合楼	北京T3航站楼	10000m <sup>2</sup>
北京沃尔玛家乐福超市	北京连锁店	5000m <sup>2</sup>
国家广电总局	复兴门内大街	2000m <sup>2</sup>
北京大学医院	北京海淀区中关村北大街	3500m <sup>2</sup>

湖南近期工程案例

武广铁路衡阳站	衡阳站	18000m <sup>2</sup>
武广铁路郴州站	郴州站	15000m <sup>2</sup>
张家界火车站	张家界火车站	14000m <sup>2</sup>
湖南省群众艺术馆	湖南群众艺术馆	12000m <sup>2</sup>
湖南省少年宫	湖南少年宫	11000m <sup>2</sup>
湖南省岳阳市中医院	岳阳市五里牌三辉大厦	3000m <sup>2</sup>
湖南湘和大厦	长沙后勤服务大楼	4000m <sup>2</sup>
长沙中建大厦	中建长沙不二幕墙有限公司	8000m <sup>2</sup>

江苏近期工程案例

南京皮肤研究所	蒋王庙	11000m <sup>2</sup>
南京迈皋桥好又多超市	南京中央门外迈皋桥广场	20000m <sup>2</sup>
南京金陵医院	南京江东路河西	30000m <sup>2</sup>
中国医药大学	南京玄武门童家巷24号	30000m <sup>2</sup>
南京江宁胜太路改造工程	江宁胜太路一条街	2000m <sup>2</sup>
南京建邺区体育大厦	南京水西门外二二路	5000m <sup>2</sup>
南京碧云山庄二期公建	南京浦口区珠江镇象山山路8号	6000m <sup>2</sup>
南京青年城售楼处	南京江宁天元中路	2000m <sup>2</sup>
南京金胜装饰城	南京江东北路	4000m <sup>2</sup>
南京钟山江陵汽车销售展厅	南京市大明路	2000m <sup>2</sup>
南京理工大学	南京市光华门	5000m <sup>2</sup>
夏普电子研发中心办公楼	南京新港开发区	4000m <sup>2</sup>
南京江宁医院门诊大楼	南京江宁区东山镇	4000m <sup>2</sup>
南京江宁区煤气自来水公司大楼	南京江宁区天元东路	2000m <sup>2</sup>
南京城开国际大厦(内装)	南京市新街口工程阁老巷	4000m <sup>2</sup>
江苏省质量监督检验检测所(内装)	南京市光华门	2000m <sup>2</sup>
南京市白下区地税局	南京市白下区科巷	3000m <sup>2</sup>
南京市钟山紫金花园会所	南京市中山陵风景区	4000m <sup>2</sup>
南京雨花国土局	南京市雨花区纬九路	4000m <sup>2</sup>
南京福特汽车4S店	南京市大明路	5000m <sup>2</sup>
南京长安大有4S店	南京市江宁大道	4000m <sup>2</sup>
南京德驰汽车销售公司大名路展厅	南京市大明路	4000m <sup>2</sup>
苏宁电器新街口国货店	南京市新街口	3000m <sup>2</sup>
南京一江房产公司办公楼	南京市六合区雄州	4000m <sup>2</sup>
南京市雄州中学办公楼	南京市六合区雄州	3000m <sup>2</sup>
南京市江宁区塑钢厂办公楼	南京市江宁区	3000m <sup>2</sup>
南京胜太路商业街	南京江宁胜太路	20000m <sup>2</sup>
南京别克4S店	南京江宁开发区汽车城	5000m <sup>2</sup>
南京金轮国际大厦	南京新街口金鹰国际大厦对面	30000m <sup>2</sup>
南京江宁街道改造	南京江宁开发区胜太路	20000m <sup>2</sup>
南京六合人民医院	南京六合区	12000m <sup>2</sup>
南京小行地铁	安德门	12000m <sup>2</sup>
南京建宁路红桥市场	建宁路	16000m <sup>2</sup>
南京星展大厦	南京市光华路	20000m <sup>2</sup>
镇江锚电厂	镇江	11000m <sup>2</sup>

河北近期工程案例

河北省正定县财政局	河北省正定县常山路	4500m <sup>2</sup>
河北省石家庄计算机学院	石家庄市学苑路	2500m <sup>2</sup>
河北省石家庄信息工程学院	石家庄开发区	4200m <sup>2</sup>
河北省宁晋县财政局	宁晋县 307 国道	3000m <sup>2</sup>
河北省宁津县西城科研中心	宁晋县永进宾馆旁	3100m <sup>2</sup>
河北省邢台市任县行政中心	邢台市任县	5000m <sup>2</sup>
河北省石家庄市太平洋广场	石家庄市泰华街	1300m <sup>2</sup>
河北省平山县光大宾馆	平山县县标	3400m <sup>2</sup>
唐津高速收费站	唐山互通	2200m <sup>2</sup>
河北省石家庄市金库	石家庄市西二环	8000m <sup>2</sup>
石家庄市鑫源童装商场	石家庄市中山西路	4100m <sup>2</sup>

河南近期工程案例

河南省射击馆	南三环	2800m <sup>2</sup>
新飞幼儿园	新乡市化工路	1100m <sup>2</sup>
郑州华北石油综合办公楼	淮河路	2000m <sup>2</sup>
河南商业技师学院办公楼	荥阳市新区	2500m <sup>2</sup>
信阳高速公路服务区及收费站	信阳市息县	1200m <sup>2</sup>
河南升达大学体育馆	郑州市龙湖大学城	4000m <sup>2</sup>
郑州置地广场二期	郑汴路与中州大道交叉口	6000m <sup>2</sup>
郑州市供电局	淮河路	3000m <sup>2</sup>
郑州市供电局科研楼		12000m <sup>2</sup>
河南洛阳市第四监狱	洛阳市环北路	5000m <sup>2</sup>

2010上海世博会韩国馆, 2010南非世界杯足球赛主场馆

2010上海世博会韩国馆, 2010南非世界杯足球赛主场馆

# SHUANGOU

## 我们的荣誉

### HONOR



荣誉见证实力 实力见证辉煌  
Honor witness the strength of strength to witness magnificence



山东近期工程案例

烟台芝罘区检察院	浙江亚厦幕墙装饰有限公司	1600m <sup>2</sup>
烟台海洋局办公楼	山东雄师幕墙工程有限公司	1200m <sup>2</sup>
烟台丰惠大厦	深圳华辉装饰公司	1200m <sup>2</sup>
南江汽车城	烟台福海装饰工程有限公司	1600m <sup>2</sup>
牟平永安商贸楼	上海装饰总公司	980m <sup>2</sup>
牟平天隆大厦	天幕装饰幕墙工程公司	1400m <sup>2</sup>
乳山胜利街派出所	乳山振华装饰工程有限公司	3600m <sup>2</sup>
乳山中石油办公楼	深圳装饰总公司	2300m <sup>2</sup>
威海火炬大厦	威海运光装饰工程有限公司	2000m <sup>2</sup>
威海之门(市政)	威海阳光装饰工程有限公司	3800m <sup>2</sup>
威海市立医院	文登网架装饰总公司	2600m <sup>2</sup>
烟台恒丰大厦	烟台福亨装饰工程有限公司	800m <sup>2</sup>
招远针织办公楼(在施工)	山东天幕集团总公司	8600m <sup>2</sup>
文登市万得大厦	温州亚飞幕墙装饰工程有限公司	1200m <sup>2</sup>
文登整骨医院(二期)	威海运光装饰工程有限公司	2800m <sup>2</sup>
青岛胶铺办公楼(在施工)	沈阳强风幕墙公司	1100m <sup>2</sup>
乳山农信(在施工)	乳山富大装饰公司	4000m <sup>2</sup>
乳山官地花园	山东天幕公司青岛分公司	3200m <sup>2</sup>
福山新明家具城	甲方施工	700m <sup>2</sup>
山东省省委党校(济南市)	深圳粤源装饰工程有限公司	3200m <sup>2</sup>
烟台老干部活动中心(铝单板)	深圳海外装饰工程有限公司	2900m <sup>2</sup>
锦江大酒店(铝单板)	福建省福清装饰公司	900m <sup>2</sup>
山水龙城	烟台建源装饰工程有限公司	2400m <sup>2</sup>
	烟台晨光装饰工程有限公司	800m <sup>2</sup>
烟台金河大厦	烟台西飞铝业有限公司	4600m <sup>2</sup>
烟台天鸿大厦(铝单板)	济南富达装饰工程有限公司	1600m <sup>2</sup>
莱阳电力局(铝单板)	沈阳沈飞装饰工程有限	2100m <sup>2</sup>
烟台市检察院	深圳海外装饰工程有限公司	3900m <sup>2</sup>
济南齐鲁软件园	济南开发区	4000m <sup>2</sup> (外)
山东省立医院	济南市经六路和纬六路交叉口	3000m <sup>2</sup> (内)
山东省军区二所	解放路36号	800m <sup>2</sup> (外)
金色阳光洗浴广场	花园路108号	1600m <sup>2</sup> (外)
		2000m <sup>2</sup> (内)
淄博泉信不锈钢厂	中海大道东首	1680m <sup>2</sup>
淄博潘庄商业大楼	柳泉路中段	4800m <sup>2</sup>
淄博丽江大厦	柳泉路人民公园对面	1700m <sup>2</sup> (一期)
		1000m <sup>2</sup> (二期)
淄博新时代物资有限公司	金晶大道	1100m <sup>2</sup>
淄博市建筑设计院	张店区人民路	1500m <sup>2</sup>
淄博临淄东泰家居商场	东泰商厦北侧	3500m <sup>2</sup> (外)
淄博市检验检疫局	柳泉路中段	5000m <sup>2</sup> (外)
冰洲大酒店	黄河中路西首	3000m <sup>2</sup> (外)
淄博市农行	柳泉路中段	4200m <sup>2</sup>
山东德州体育馆	山东津单幕墙济南舜华路南首	25000m <sup>2</sup>
山东省东营商贸城	山东省东营市	19000m <sup>2</sup>
山东烟台御金苔小区	烟台汽车总站对面	50000m <sup>2</sup>
山东潍坊昌大集团	潍坊市工业园区	10000m <sup>2</sup>
山东台儿庄人民法院	山东枣庄市台儿庄区	3000m <sup>2</sup>

陕西近期工程案例

西安市第一中学	西安兴善寺路	5000m <sup>2</sup>
西安市枫林绿洲	西安市科技6路	3000m <sup>2</sup>
西安市杨凌区火车站	西安杨陵区	6000m <sup>2</sup>
西安市康复路交易市场	西安市长乐路西段	2000m <sup>2</sup>
西安市丹尼尔商场	西安市长乐路西段	5000m <sup>2</sup>
陕西省吴起镇镇政府	陕西省吴起镇	4000m <sup>2</sup>
西安市砖石半岛	西安雁南3路	6000m <sup>2</sup>
西安市中级人民法院	北耳环井上村	4000m <sup>2</sup>
西安市高新区水晶岛	唐延路	10000m <sup>2</sup>
陕西省龙岗大厦	北二环	12000m <sup>2</sup>
西安曲江会展中心	电视塔下	13000m <sup>2</sup>
人民银行西安分行	科技路口	100000m <sup>2</sup>
亚美伟博广场	南二环	11000m <sup>2</sup>
星河大厦	唐延路	10000m <sup>2</sup>
01广场	科技二路	10000m <sup>2</sup>
汉中海星广场	汉中市人民路	7000m <sup>2</sup>
西安市法门寺	西安市法门寺	42000m <sup>2</sup>

浙江近期工程案例

杭州博卡制衣有限公司	杭州乔司博卡路	8000m <sup>2</sup>
浙江消防训练基地	绍兴市袍江工业区	15000m <sup>2</sup>
嘉兴国际网球中心	嘉兴南湖新区东南三路	6500m <sup>2</sup>
浙江农副产品交易中心	杭州余杭区清镇行官塘村	12000m <sup>2</sup>
杭州钱江新城万象城	杭州钱江庆春东路	8000m <sup>2</sup>
杭州江口商贸大厦	杭州转塘镇	20000m <sup>2</sup>
杭州中纺服装商务信息中心	杭州航海路	11000m <sup>2</sup>
杭州职业技术学院	杭州富阳高桥	8500m <sup>2</sup>

湖北近期工程案例

青阳石街	武汉市红钢城	5000m <sup>2</sup>
湖北省嘉鱼中医院	嘉鱼县沙阴大道	2600m <sup>2</sup>
黄冈技术学院	黄冈赤壁公园	1500m <sup>2</sup>
通山中康大酒店	通山新区	3000m <sup>2</sup>
咸宁龙跃金天下	咸宁文笔大道	2000m <sup>2</sup>
光谷时间广场	光谷民族大道	2000m <sup>2</sup>
咸宁无线管理中心	温泉一号桥	25000m <sup>2</sup>
咸宁科学技术协会	温泉一号桥	18000m <sup>2</sup>

四川近期工程案例

四川成都315国道改造	成都犀浦镇	700m <sup>2</sup>
四川金花鞋城	成都双流	2000m <sup>2</sup>
四川安妮娜鞋厂	成都双流	1200m <sup>2</sup>
四川安吉蕾鞋厂	成都双流	1500m <sup>2</sup>
四川新津县委办公大楼	成都新津	2000m <sup>2</sup>
四川红波工业园	成都新都	2200m <sup>2</sup>
四川大学华阳校区	成都华阳	3000m <sup>2</sup>
四川西华大学	成都郫县红光镇	4000m <sup>2</sup>
四川师范大学	成都双流	5000m <sup>2</sup>
四川中石油改造工程	西南地区石油站	3000m <sup>2</sup>
四川电子科技大学	成都高新区	3500m <sup>2</sup>
四川温江供电局	成都温江	3000m <sup>2</sup>
四川温江丽日樱花商务楼	成都温江	2800m <sup>2</sup>
四川恩威制药大楼	成都航空港路	2500m <sup>2</sup>
四川简阳消防大楼	简阳	1200m <sup>2</sup>
四川攀枝花大学	攀枝花	4500m <sup>2</sup>
四川罗江中学	罗江	2000m <sup>2</sup>
成都地铁大厦	成都羊西线	3000m <sup>2</sup>
金堂供电局	成都金堂淮口	2000m <sup>2</sup>
成都博爱医院	成都正府街	2800m <sup>2</sup>
成都优悦领地商务楼	成都解放路一段	2000m <sup>2</sup>
成都高心之心大楼	成都永丰立交桥旁	1500m <sup>2</sup>
成都幸福屋语	成都市二环路北二段	1500m <sup>2</sup>
成发集团办公大楼	成都新都	4000m <sup>2</sup>
成都蛟龙工业港	成都双流	2500m <sup>2</sup>
成都铁佛小学	成都武侯区	1800m <sup>2</sup>
成都火车南站	成都火车南站	2800m <sup>2</sup>

其它省市近期工程案例

新疆乌鲁木齐地王鞋都	新疆乌鲁木齐院街333号	18000m <sup>2</sup>
新疆乌鲁木齐盈科地产	乌鲁木齐市北京南路416号	28000m <sup>2</sup>
浙江杭州医专		15000m <sup>2</sup>
武汉大剧院	武汉市中心	4200m <sup>2</sup>
淮北体育馆工程	淮北市政府对面	18000m <sup>2</sup>
呼伦贝尔体育馆	内蒙古呼伦贝尔	4600m <sup>2</sup>
长春鸿石大厦	自由大路	11000m <sup>2</sup>
中国人民解放军5720兵工厂	芜湖经济开发区	5600m <sup>2</sup>
安徽移动大楼	合肥新区长江路	12000m <sup>2</sup>
内蒙古鄂托克旗盘井镇棋盘井中学	内蒙古鄂托克旗盘井镇	12000m <sup>2</sup>
黑龙江双鸭宝清民医院	黑龙江宝清市	30000m <sup>2</sup>
黑龙江黑河供电局	黑龙江黑河	20000m <sup>2</sup>
黑龙江佳木斯客运站	黑龙江佳木斯	20000m <sup>2</sup>
黑龙江伊春市铁力市红博驾校	黑龙江伊春铁力市	8000m <sup>2</sup>
衢州博悦大酒店	衢州市衢化路	8000m <sup>2</sup>
新疆石河子大学图书馆	新疆石河子	4000m <sup>2</sup>
黑龙江哈尔滨百货大楼	哈尔滨	5000m <sup>2</sup>

2010上海世博会韩国馆, 2010南非世界杯足球赛主场馆

2010上海世博会韩国馆, 2010南非世界杯足球赛主场馆




荣誉是自豪、是压力、鞭策我们更加努力  
The honor is both the pride and the stress which promotes us to work hard

# HONOR

## SHUANGOU

**常州市知名商标证书**  
编号: 13030

常州双玻板业有限公司:

你单位使用在**金属板、铝塑板(以铝为商品(服务)上的**  **商标(注册证号为3877239)被认定为常州市知名商标,有效期2013年12月至2016年12月。**

常州市知名商标认定委员会  
2013年12月26日

**江苏省民营科技企业**

苏民科证字第 D-20130261 号

常州双玻板业有限公司

经确认符合《江苏省发展民营科技企业条例》的有关规定,特发此证。

法定代表人: 洪建荣

企业地址: 江苏省常州市钟楼区五星路4号

证书有效期: 贰年

江苏省民营科技企业协会  
二〇一三年一月

**常州市高新技术产品认定证书**

产品名称: 金属饰面(铝塑板)保温板

产品编号: 20111WJ017C

承担单位: 常州双玻板业有限公司

常州市科学技术局  
有效期三年  
二〇一二年四月

**高新技术产品认定证书**

产品名称: 金属饰面(铝塑板)保温板

产品编号: 110412G0198N

承担单位: 常州双玻板业有限公司

江苏省科学技术厅  
有效期三年  
二〇一二年八月

**参加行业标准《金属装饰保温板》编制组协议书**

甲方: 中国建筑材料检验中心  
乙方: 常州双玻板业有限公司

由甲方负责主编的《金属装饰保温板》的制定工作,经国家有关主管部门批准正式立项,经有关专家的遴选,贵公司(乙方)已被确定为该标准的参编单位。

乙方积极关注行业的发展,自愿要求参与此标准的制订工作,为金属装饰保温板产品标准的制订与行业的发展做出贡献。

为确保标准制订工作的顺利完成,甲乙双方本着自愿原则,经友好协商,达成如下协议:

- 甲方负责标准制订的全过程。
- 乙方作为标准制订工作小组的成员之一,积极参与标准的制订工作并承担相关的责任与义务,承担有关验证试验条件,向甲方提供相关资料、材料以及标准制订工作中与甲方进行合作。
- 甲方应对乙方所提供的相关资料及信息保守秘密(乙方应事先申明),并将乙方列入此标准参编单位名称。
- 乙方承担标准制订费用人民币叁万元整。
- 本协议一式两份,双方各执一份,双方签字盖章后生效,乙方应在协议生效之日起一个月内将标准制订费用汇入甲方账户。(请备注说明:标准参编费)
- 未尽事宜,双方可通过协商解决。

甲方: 中国建筑材料检验中心  
代表签字: [Signature]  
日期: 2008年9月

乙方: 常州双玻板业有限公司  
代表签字: [Signature]  
日期: 2008年9月

甲方: 中国建筑材料检验中心  
开户行: 工行北京朝外支行  
账号: 02000089901437256

乙方: 常州双玻板业有限公司  
开户行: 工行北京朝外支行  
账号: 02000089901437256

**参加行业标准《建筑装饰用铝单板》编制组协议书**

甲方: 中国建筑材料检验中心  
乙方: 常州双玻板业有限公司

由甲方负责主编的《建筑装饰用铝单板》的制定工作,经国家有关主管部门批准正式立项,经有关专家的遴选,贵公司(乙方)已被确定为该标准的参编单位。

乙方积极关注行业的发展,自愿要求参与此标准的制订工作,为建筑装饰用铝单板产品标准的制订与行业的发展做出贡献。

为确保标准制订工作的顺利完成,甲乙双方本着自愿原则,经友好协商,达成如下协议:

- 甲方负责标准制订的全过程。
- 乙方作为标准制订工作小组的成员之一,积极参与标准的制订工作并承担相关的责任与义务,承担有关验证试验条件,向甲方提供相关资料、材料以及标准制订工作中与甲方进行合作。
- 甲方应对乙方所提供的相关资料及信息保守秘密(乙方应事先申明),并将乙方列入此标准参编单位名称。
- 乙方承担标准制订费用人民币叁万元整。
- 本协议一式两份,双方各执一份,双方签字盖章后生效,乙方应在协议生效之日起一个月内将标准制订费用汇入甲方账户。(请备注说明:标准参编费)
- 未尽事宜,双方可通过协商解决。

甲方: 中国建筑材料检验中心  
代表签字: [Signature]  
日期: 2008年9月

乙方: 常州双玻板业有限公司  
代表签字: [Signature]  
日期: 2008年9月

甲方: 中国建筑材料检验中心  
开户行: 工行北京朝外支行  
账号: 02000089901437256

乙方: 常州双玻板业有限公司  
开户行: 工行北京朝外支行  
账号: 02000089901437256

**参加行业标准《热反射金属屋面》编制组协议书**

甲方: 中国建筑材料检验中心  
乙方: 常州双玻板业有限公司

根据住房和城乡建设部文件建标【2009】89号“关于印发《2009年住房和城乡建设部制订工业产品行业标准制、修订计划》的通知”要求,由甲方负责主编的《热反射金属屋面》的制定工作正式立项,经有关专家的遴选,贵公司(乙方)已被确定为该标准的参编单位。

乙方积极关注行业的发展,自愿要求参与此标准的制订工作,为热反射金属屋面产品标准的制订与行业的发展做出贡献。

为确保标准制订工作的顺利完成,甲乙双方本着自愿原则,经友好协商,达成如下协议:

- 甲方负责标准制订的全过程。
- 乙方作为标准制订工作小组的成员之一,积极参与标准的制订工作并承担相关的责任与义务,承担有关验证试验条件,向甲方提供相关资料、材料以及标准制订工作中与甲方进行合作。
- 甲方应对乙方所提供的相关资料及信息保守秘密(乙方应事先申明),并将乙方列入此标准参编单位名称。
- 乙方承担标准制订费用人民币叁万元整。
- 本协议一式两份,双方各执一份,双方签字盖章后生效,乙方应在协议生效之日起一个月内将标准制订费用汇入甲方账户。(请备注说明:标准参编费)
- 未尽事宜,双方可通过协商解决。

甲方: 中国建筑材料检验中心  
代表签字: [Signature]  
日期: 2009年2月16日

乙方: 常州双玻板业有限公司  
代表签字: [Signature]  
日期: 2009年2月16日

甲方: 中国建筑材料检验中心  
开户行: 工行北京朝外支行  
账号: 02000089901437256

乙方: 常州双玻板业有限公司  
开户行: 工行北京朝外支行  
账号: 02000089901437256

**参加行业标准《铝塑板面》编制组协议书**

甲方: 中国建筑材料检验中心  
乙方: 常州双玻板业有限公司

根据住房和城乡建设部文件建标【2009】160号“关于印发《2009年住房和城乡建设部制订工业产品行业标准制、修订计划》的通知”要求,由甲方负责主编的《铝塑板面》的制定工作正式立项,经有关专家的遴选,贵公司(乙方)已被确定为该标准的参编单位。

乙方积极关注行业的发展,自愿要求参与此标准的制订工作,为铝塑板面产品标准的制订与行业的发展做出贡献。

为确保标准制订工作的顺利完成,甲乙双方本着自愿原则,经友好协商,达成如下协议:

- 甲方负责标准制订的全过程。
- 乙方作为标准制订工作小组的成员之一,积极参与标准的制订工作并承担相关的责任与义务,承担有关验证试验条件,向甲方提供相关资料、材料以及标准制订工作中与甲方进行合作。
- 甲方应对乙方所提供的相关资料及信息保守秘密(乙方应事先申明),并将乙方列入此标准参编单位名称。
- 乙方承担标准制订费用人民币叁万元整。
- 本协议一式两份,双方各执一份,双方签字盖章后生效,乙方应在协议生效之日起一个月内将标准制订费用汇入甲方账户。(请备注说明:标准参编费)
- 未尽事宜,双方可通过协商解决。

甲方: 中国建筑材料检验中心  
代表签字: [Signature]  
日期: 2009年3月19日

乙方: 常州双玻板业有限公司  
代表签字: [Signature]  
日期: 2009年3月19日

甲方: 中国建筑材料检验中心  
开户行: 工行北京朝外支行  
账号: 02000089901437256

乙方: 常州双玻板业有限公司  
开户行: 工行北京朝外支行  
账号: 02000089901437256

证书号第140207号

**实用新型专利证书**

实用新型名称: 金属饰面保温板

发明人: 洪建荣

专利号: 2009 2 0045554.2

专利申请日: 2009年05月16日

专利权人: 常州双玻板业有限公司

授权公告日: 2010年05月05日

局长 田力普

证书号第1311603号

**实用新型专利证书**

实用新型名称: 保温隔热保温板

发明人: 洪建荣

专利号: 2009 2 0042355.5

专利申请日: 2009年11月11日

专利权人: 洪建荣

授权公告日: 2010年03月11日

局长 田力普

证书号第1307240号

**实用新型专利证书**

实用新型名称: 金属饰面保温板

发明人: 洪建荣

专利号: 2009 2 0042356.3

专利申请日: 2009年04月20日

专利权人: 常州双玻板业有限公司

授权公告日: 2010年03月11日

局长 田力普

证书号第1305553号

**实用新型专利证书**

实用新型名称: 金属饰面保温板

发明人: 洪建荣

专利号: 2009 2 0045553.3

专利申请日: 2009年5月16日

专利权人: 常州双玻板业有限公司

授权公告日: 2010年03月11日

局长 田力普

证书号第1281330号

**实用新型专利证书**

实用新型名称: 一种保温节能保温板

发明人: 洪建荣

专利号: 2008 2 0040206.4

专利申请日: 2008年09月12日

专利权人: 常州双玻板业有限公司

授权公告日: 2009年02月11日

局长 田力普

证书号第1048453号

**实用新型专利证书**

实用新型名称: 一种保温节能板

发明人: 洪建荣

专利号: 2008 2 0040205.5

专利申请日: 2008年02月11日

专利权人: 洪建荣

授权公告日: 2008年02月11日

局长 田力普

# SHUANGOU 科研中心 T&R Center

本公司有设备最齐全的检测中心和优秀的研究开发人员，保证了铝板和铝复合板的耐酸碱盐、耐冲击、耐磨性、涂层柔韧性、剥离强度、耐温差及弯曲强度等一系列的物理性能和化学性能，超过相应标准。

Our company is equipped with the most complete inspection center and excellent research and development personnel, which ensure that the physical and chemical performance such as acid, alkali, salt, attack, abrasion peeling intensity, and temperature change resistance and bending strength, etc surpass the responding standard.

精良的设备为高品质产品提供了保障  
 Sophisticated equipment leads up to first-class products



STEADY DEVELOPMENT, WIN-WIN COOPERATION

稳\步\发\展 合\作\双\赢

# SHUANGOU ▶

## START A NEW PILOT AT ONCE

### 即刻出发 全新领航



# 发展历程

## DEVELOPMENT HISTORY

- 1992年 公司投资建厂。
- 1995年 投入生产干贴单面铝塑复合板。
- 1998年 投入生产干贴双面铝塑复合板。
- 2002年 引进台湾进口铝塑复合板连续生产线。
- 2004年 引进德国全自动彩色涂层铝卷生产线。
- 2005年 自行研发第二条铝塑复合板生产线。
- 2006年 自行研发第二条彩色涂层铝卷生产线。
- 2007年 自行研发第三条铝塑复合板生产线。
- 2008年 自行研发三烘三涂喷涂生产线。
- 2008年 引进数控冲剪折弯精密钣金设备成功开发铝单板、金属饰面保温板。
- 2008年 首批铝镁锰合金屋面板供货市场。
- 2008年 参与国家标准《金属装饰保温板》的编写和制定。
- 2009年 参与国家标准《铝塑贴面板》的编写和制定。
- 2009年 参与国家标准《建筑装饰用铝单板》的编写和制定。
- 2009年 首批食品级涂层铝卷出口欧洲。
- 2009年 自行研发铝塑复板用防火B1、A级芯料。
- 2009年 自行研发第三条彩色涂层铝卷生产线。
- 2010年 投资6亿元人民币建设高精铝卷板带箔工业项目。
- 2012年 高精铝卷板带箔正式投产、一举得到客户好评。
- 2012年 获得江苏省高新技术企业荣誉。
- 2013年 自行研发分条生产线和切片生产线，进入铝吊顶、铝天花、铝格栅围栏行业。
- 2014年 自行研发氟碳环保喷涂线投产。
- 2015年 与奥地利老虎牌涂料达成战略联盟，更优质的环保产品面世。
- 2016年 自行研发烤瓷抗划铝单板生产线投产，达到耐磨、抗菌、防火A级的优异性能。

- In 1992, the factory was founded
- In 1995, we put dry stick single-side aluminum composite panel into production
- In 1998, we gave investment in dry stick double-sided aluminum composite panel
- In 2002, we imported aluminum composite panels continuous production line from Taiwan
- In 2004, we purchased full-automatic aluminum coil color coating line from Germany
- In 2005, we researched and developed the second aluminum composite panel production line
- In 2006, we researched and developed the second color coating line of aluminum coil
- In 2007, we researched and developed the third aluminum composite panel production line
- In 2008, we researched and developed color coated aluminum coil coating line with three oven
- In 2008, we imported precision NC shearing and bending sheet metal equipment and developed aluminum veneer and metal decorating panels successfully
- In 2008, we released the first batch of aluminum magnesium manganese alloy roof panel to the market.
- In 2008, we were invited to participated in writing and making the national standard of metal decorating insulation panel
- In 2009, we were invited to participated in writing and making the national standard of aluminum composite panel
- In 2009, we were invited to participated in writing and making the national standard of aluminum veneer of architectural decoration
- In 2009, we exported the first batch of food grade coating coil to Europe.
- In 2009, we researched and developed fireproof plastic for aluminum composite panels B1 and A level
- In 2009, we researched and developed the third coating line of color coated aluminum coil
- In 2010, our factory invested RMB600 million to build the advanced production line of aluminum coil, belt and foil
- In 2012, the advanced production line of aluminum roll, belt, foil was put into production and got customers high praise
- In 2012, our factory gained an honor of advanced technology enterprise in Jiangsu province
- In 2013, we researched and developed slitting production line and slice production line and entered into the industry of aluminum ceiling system and aluminum grille fence
- In 2014 Our own researches and develops the fluorine carbon spraying line put into production.
- In 2015 reached a strategic alliance with Austria tiger brand coating, better environmental protection product.
- In 2016 Our own research and develop ceramic resistance to delimit aluminum veneer production line put into production, wear-resisting, the excellent properties of antibacterial, fireproof grade A.



双欧®

-1992-  
shuangou

专注铝板20年

PROFESSIONAL MANUFACTURER OF ALUMINIUM PLANK

装饰铝板国家标准参编制定单位

DECORATIVE ALUMINUM BOARD NATIONAL STANDARD FOR THE FORMULATION OF UNITS



[Http://www.zgshuangou.com](http://www.zgshuangou.com)

E-mail:sale@shuangou.com

常州双欧板业有限公司  
CHANGZHOU SHUANGOU FLOORING CO.,LTD.